

DFP-20T8-1-149

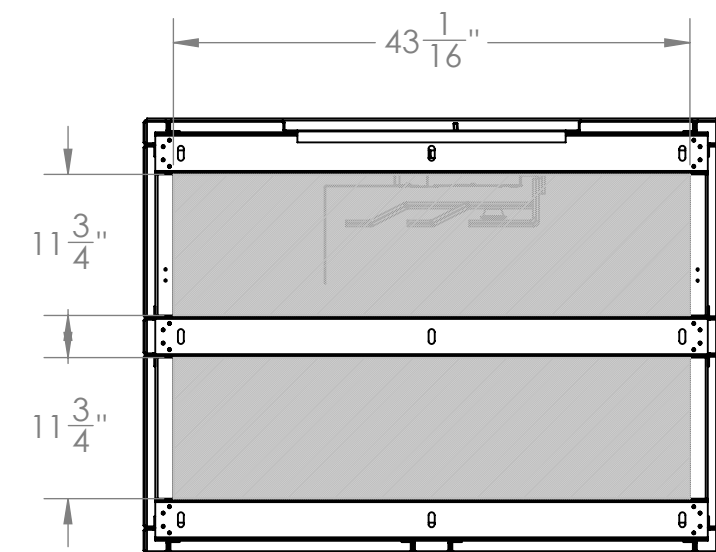
ASSEMBLY:  
UL 891 LISTED Service Entrance Rated  
Distribution Switchgear

MAIN:  
T8V  
2000A, 480V, 3PH, 4W, 65kaic  
6 HOLE 4/0 - 750MCM MECH LUG PER PHASE

ENCLOSURE:  
90 TALL 48 WIDE 36 DEEP  
NEMA Type 1 (Indoor), PAD MOUNTABLE

ALL BUS TIN PLATED  
100% NEUTRAL  
GROUND

RELT



Circuit	Amps	Description	Description	Amps	Circuit
1	250	XT4H	XT4H	250	2
3	250	XT4H	XT4H	250	4
5	400	XT5H	XT5H	400	6
7	400	XT5H	XT5H	400	8
9	800	XT6H	-		
10	800	XT6H	-		
11	800	XT6H OR XT7H SPACE	-		
12	800	XT6H OR XT7H SPACE			
13	800	XT6H OR XT7H SPACE			

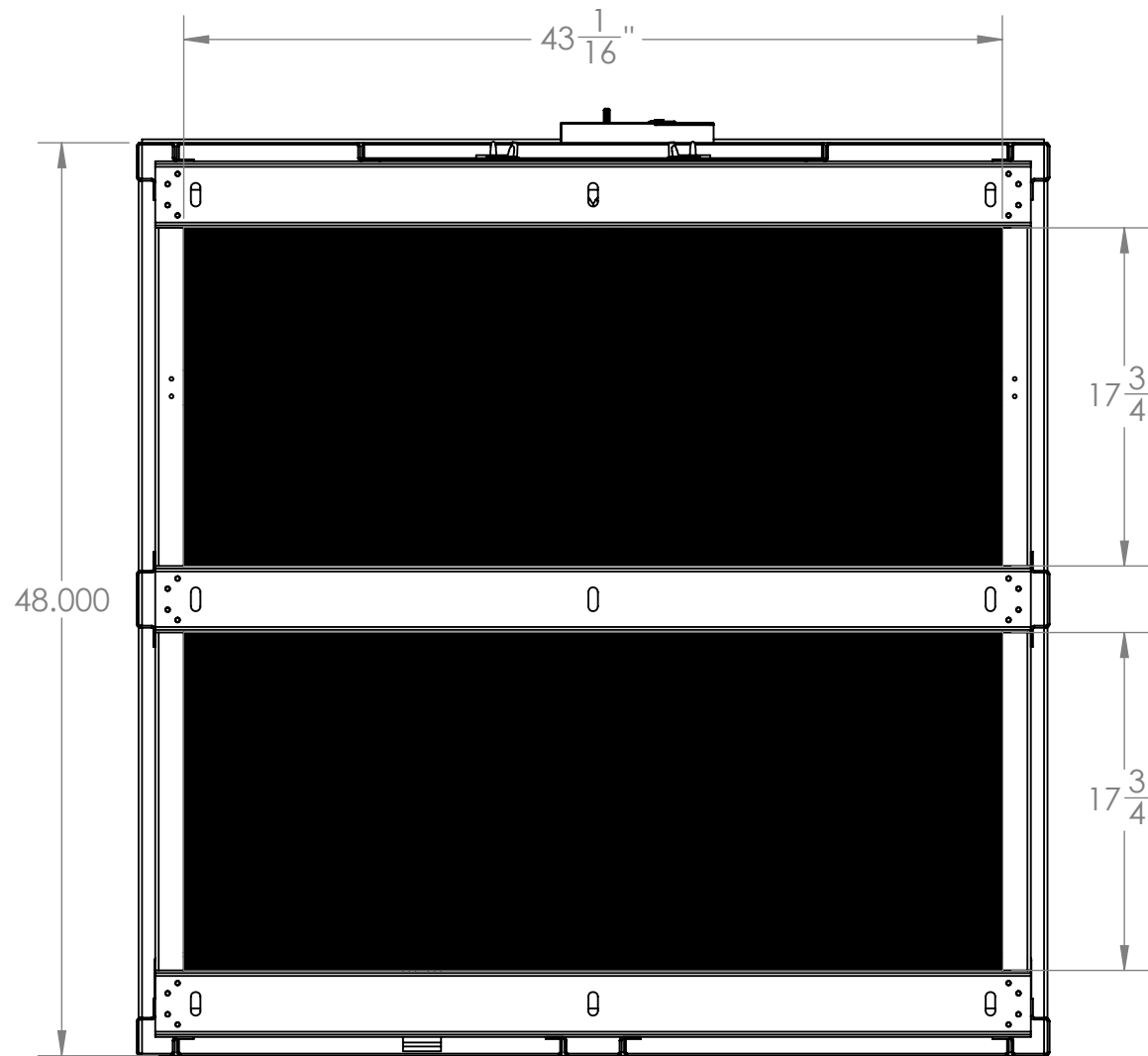
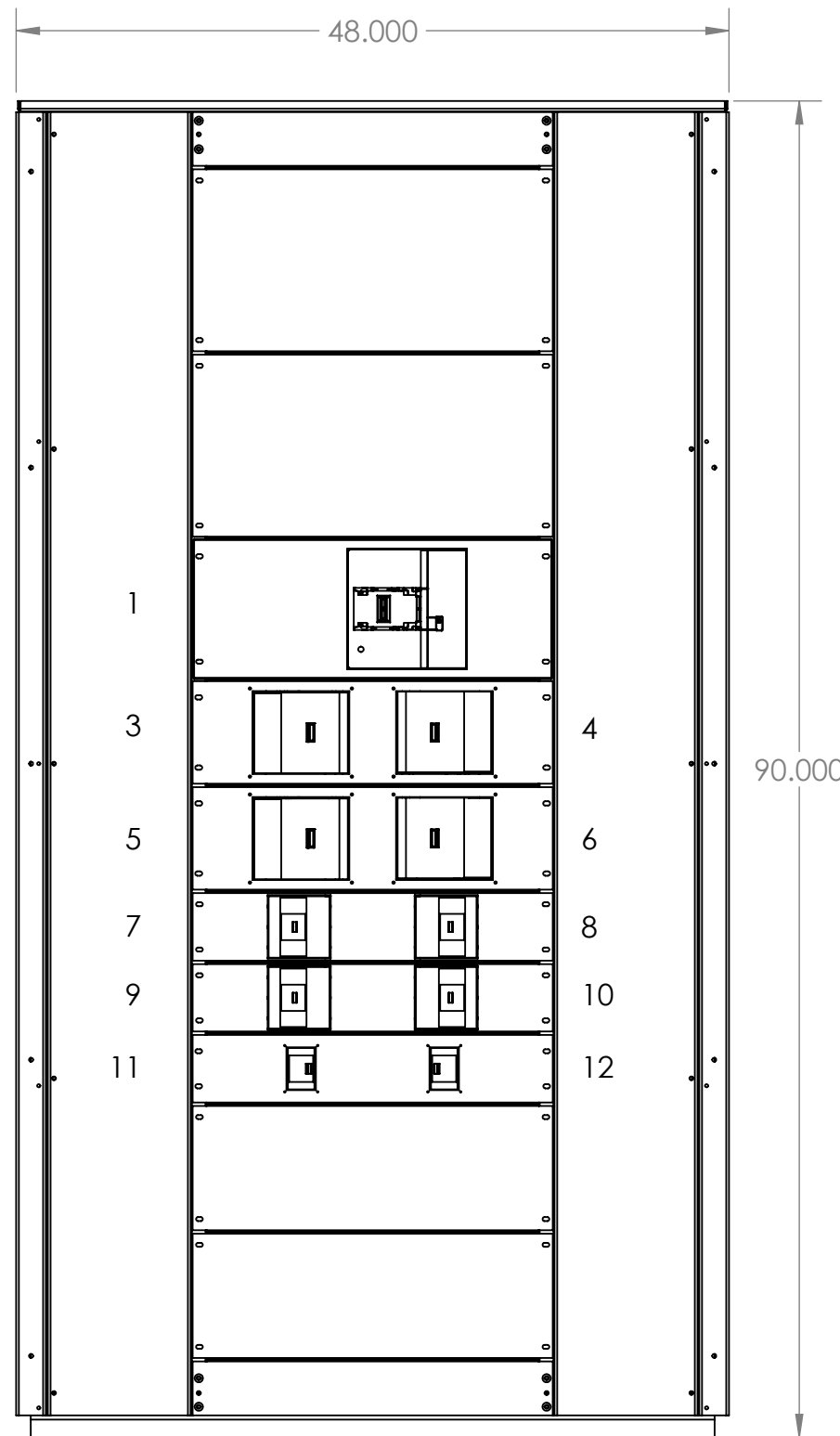
DFP30MLO-1

ASSEMBLY:  
UL 891 LISTED Distribution Switchgear

MAIN:  
MLO  
3000A, 480V, 3PH, 4W, 35kaic  
6 HOLE 4/0 - 750MCM MECH LUG PER PHASE

ENCLOSURE:  
90 TALL 48 WIDE 48 DEEP  
NEMA Type 1 (Indoor), PAD MOUNTABLE

ALL BUS TIN PLATED  
100% NEUTRAL  
GROUND



Circuit	Amps	Description	Description	Amps	Circuit
1	1200	XT7SU312EEFF000XXX	-	-	2
3	600	XT5SU360BBFF000XXX	XT5SU360BBFF000XXX	600	4
5	400	XT5SU640ABFF000XXX	SPACE	400	6
7	200	XT3SU3200AFF000XXX	XT3SU3200AFF000XXX	200	8
9	200	XT3SU3200AFF000XXX	SPACE	200	10
11	100	XT1SU3100AFF000XXX	SPACE	100	12

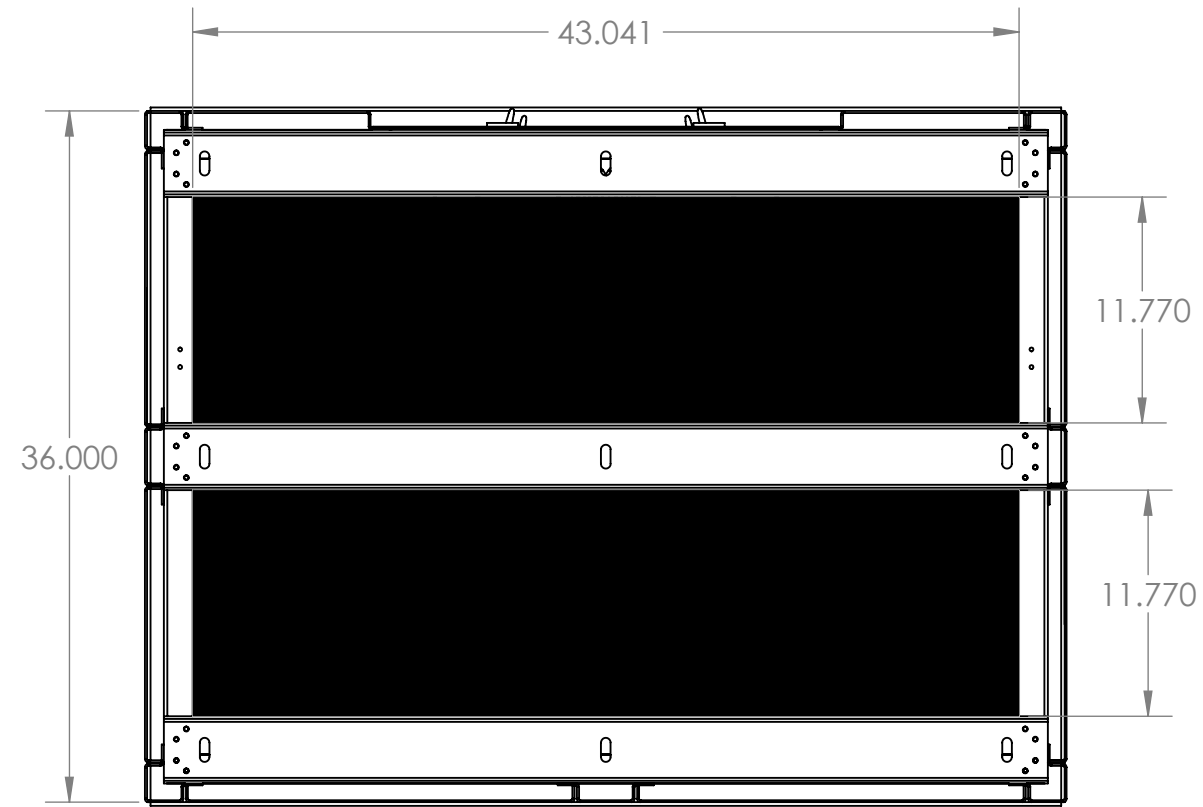
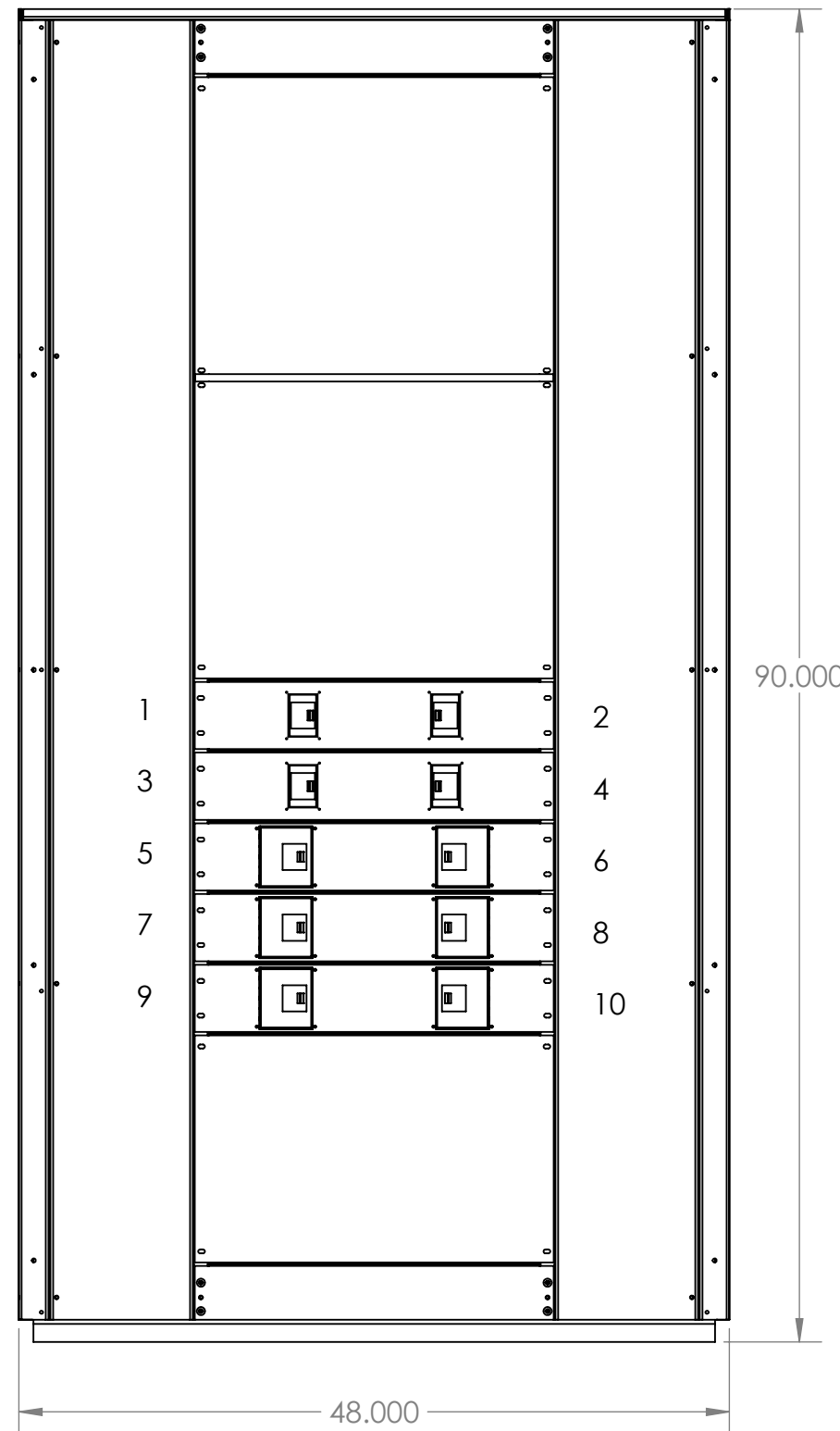
DFP155

ASSEMBLY:  
UL 891 LISTED Main Lug Only Switchboard

MAIN:  
MLO  
1200A, 400Y/230, 3PH, 4W, 35kaic  
6 HOLE 4/0 - 750MCM MECH LUG PER PHASE

ENCLOSURE:  
90 TALL 48 WIDE 36 DEEP  
NEMA Type 1 (Indoor), PAD MOUNTABLE

ALL BUS TIN PLATED  
100% NEUTRAL  
GROUND



CONDUIT ENTRY DETAIL

Circuit	Amps	Description	Description	Amps	Circuit
1	30	XT1	XT1	30	2
3	30	XT1	XT1 SPACE	30	4
5	250	XT4	XT4	250	6
7	250	XT4	XT4	250	8
9	250	XT4	XT4	250	10

DFS12MLO-158

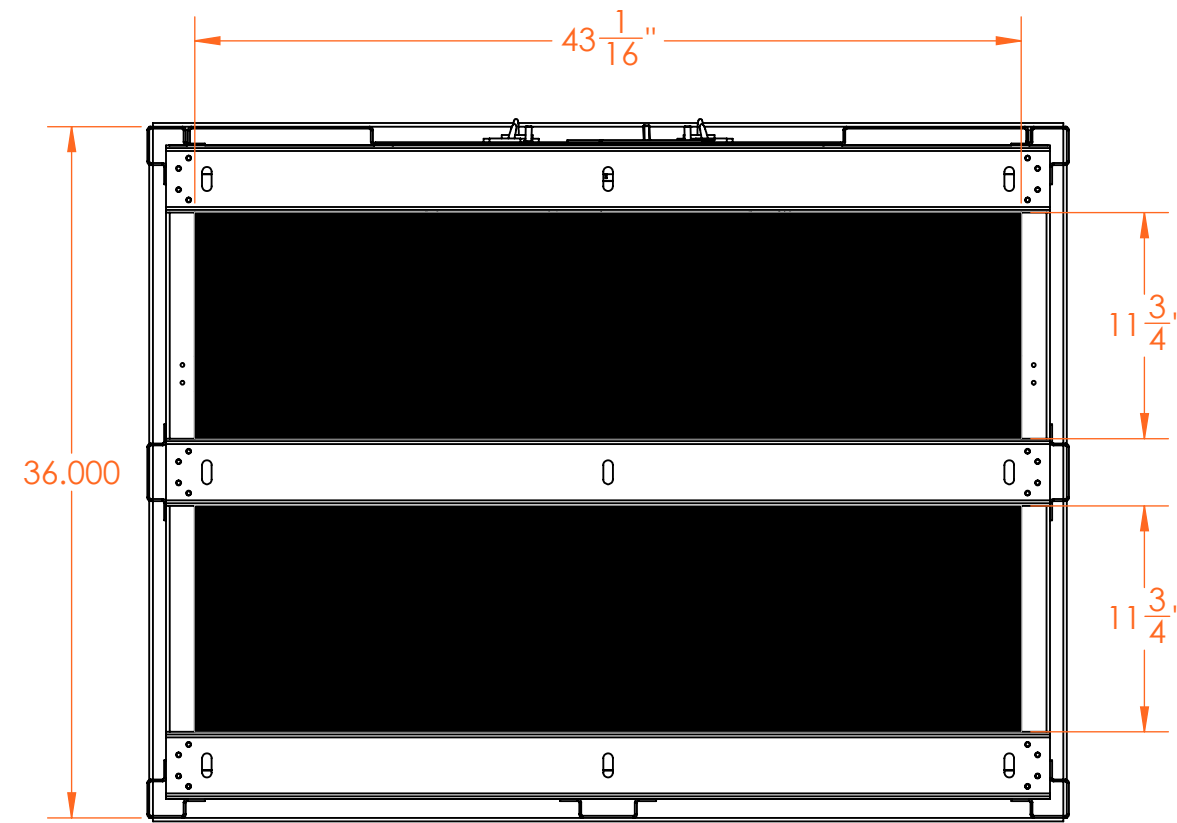
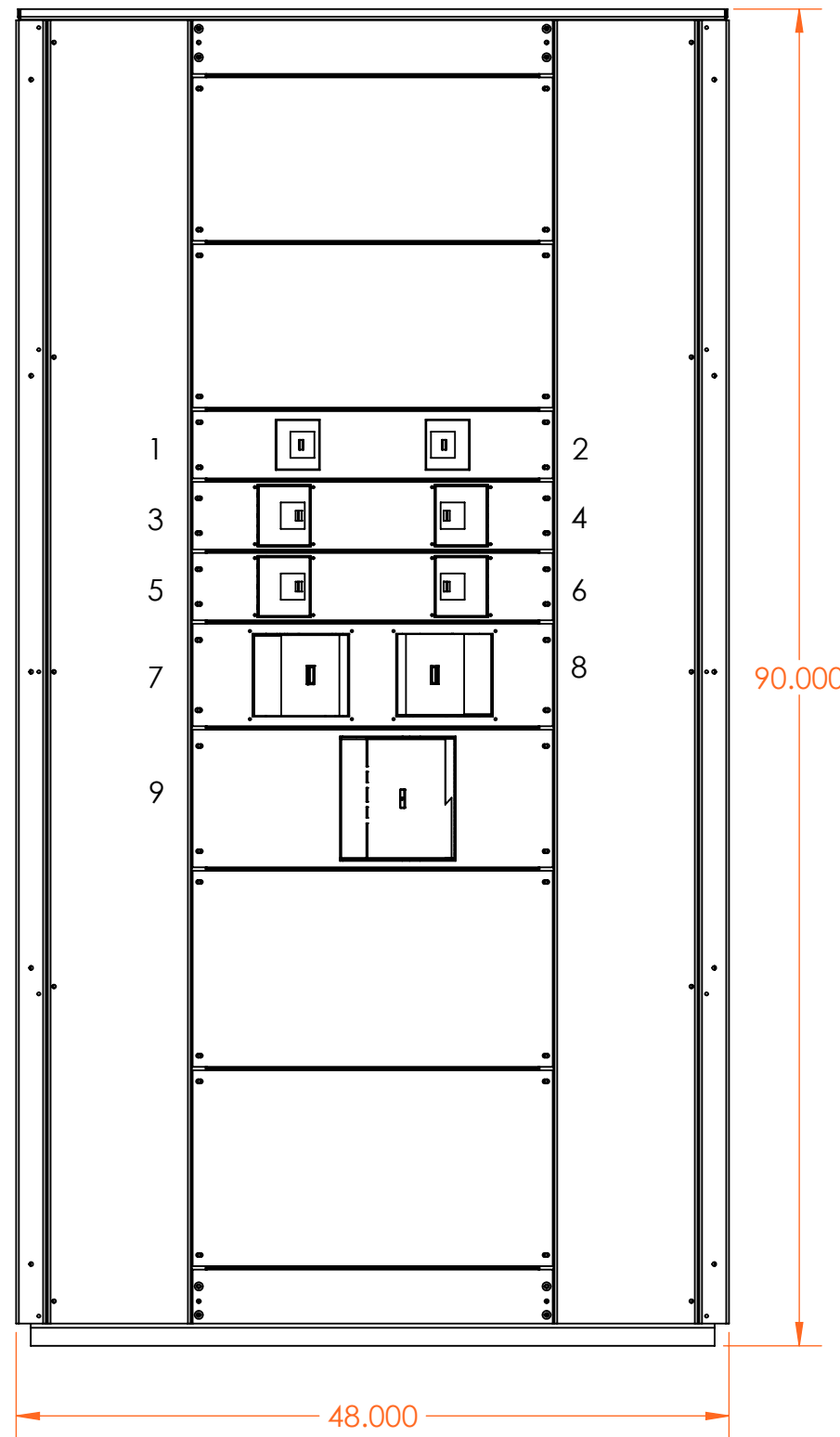
ASSEMBLY:  
UL 891 LISTED Main Lug Only Switchboard

MAIN:  
MLO  
1200A, 480V, 3PH, 4W, 65kaic  
6 HOLE 4/0 - 750MCM MECH LUG PER PHASE

ENCLOSURE:  
90 TALL 48 WIDE 36 DEEP  
NEMA Type 1 (Indoor), PAD MOUNTABLE

ALL BUS TIN PLATED  
100% NEUTRAL  
GROUND

RELT



CONDUIT ENTRY DETAIL

Circuit	Amps	Description	Description	Amps	Circuit
1	100	80% - XT2HU3100FFF000XXX [LSI]	SPACE	-	2
3	250	80% - XT4HU3250FFF000XXX [LSI]	100A 80% - XT4HU3100FFF000XXX [LSI]	250	4
5	250	SPACE	SPACE	250	6
7	350	80% - XT5HU340AFF000XXX [LSI]	SPACE	400	8
9	800	80% - XT6HU3800FFF000XXX [LSI]	-	-	-

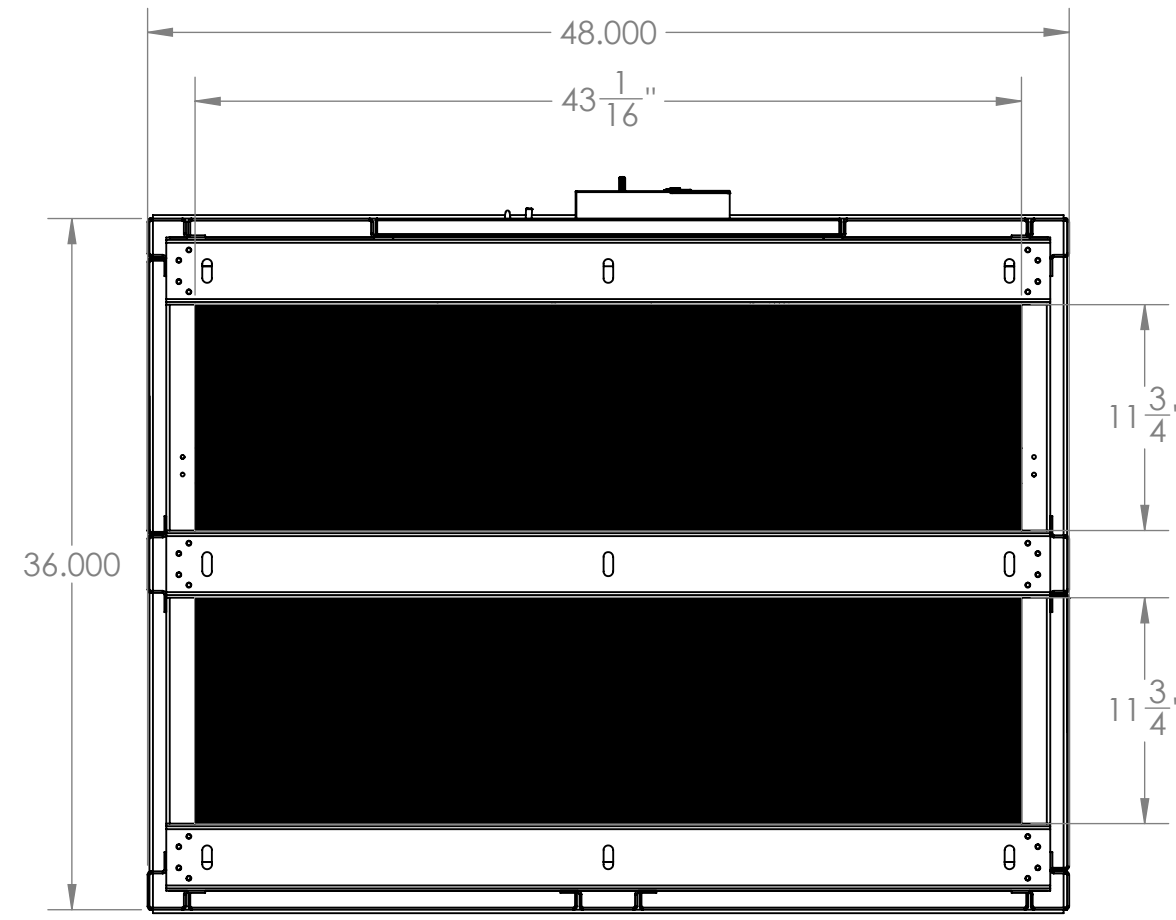
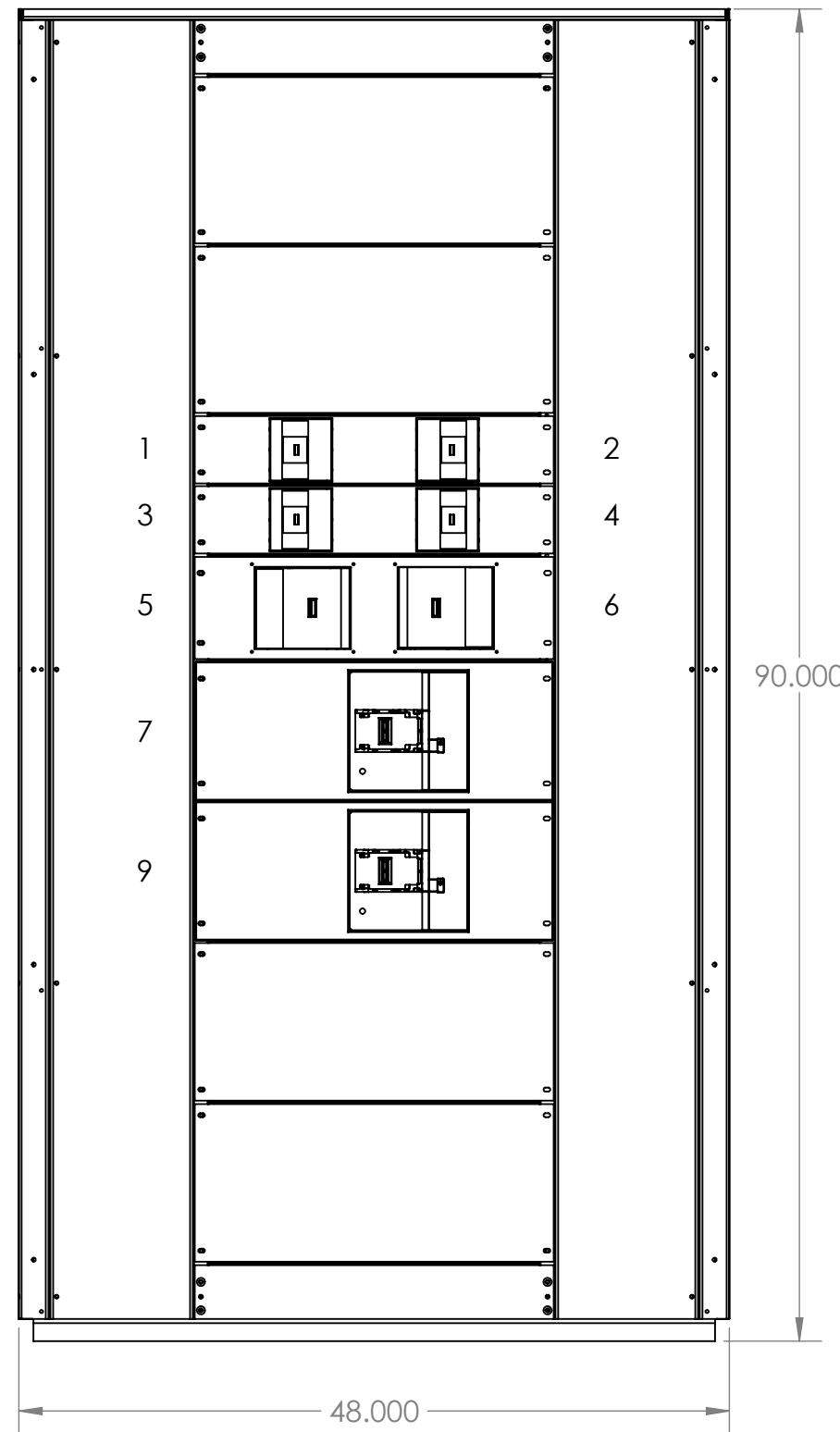
DFP25MLO-1

ASSEMBLY:  
UL 891 LISTED Main Lug Only Switchboard

MAIN:  
MLO  
2500A, 480V, 3PH, 4W, 35kaic  
6 HOLE 4/0 - 750MCM MECH LUG PER PHASE

ENCLOSURE:  
90 TALL 48 WIDE 36 DEEP  
NEMA Type 1 (Indoor), PAD MOUNTABLE

ALL BUS TIN PLATED  
100% NEUTRAL  
GROUND



Circuit	Amps	Description	Description	Amps	Circuit
1	150	XT3NU3150AFF000XXX	XT3NU3150AFF000XXX	150	2
3	175	XT3NU3175AFF000XXX	SPACE	175	4
5	400	XT5NU340AEFF000XX	SPACE	400	6
7	1200	XT7SU312EEFF000XXX	-	-	8
9	1200	XT6HXT7SU312EEFF000XXX	-	-	10



DFP12XT7-1

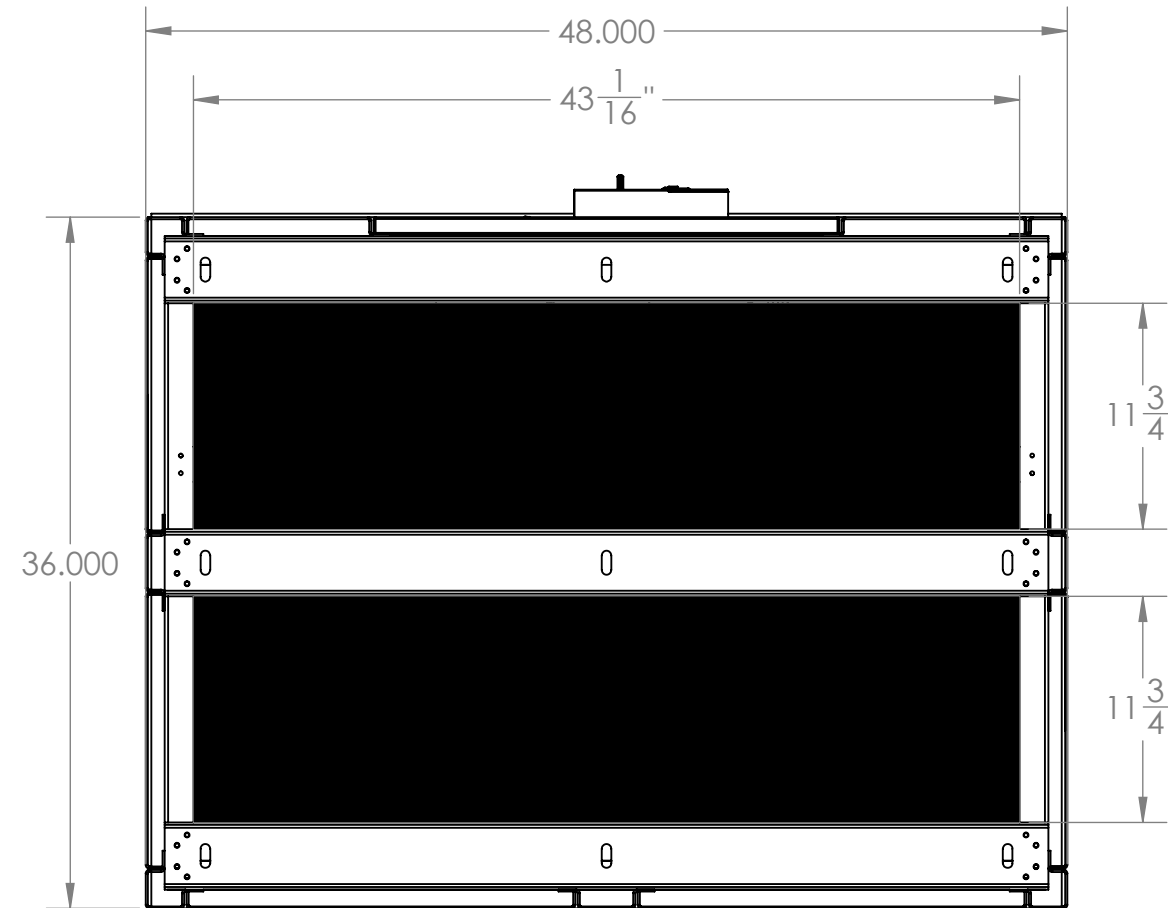
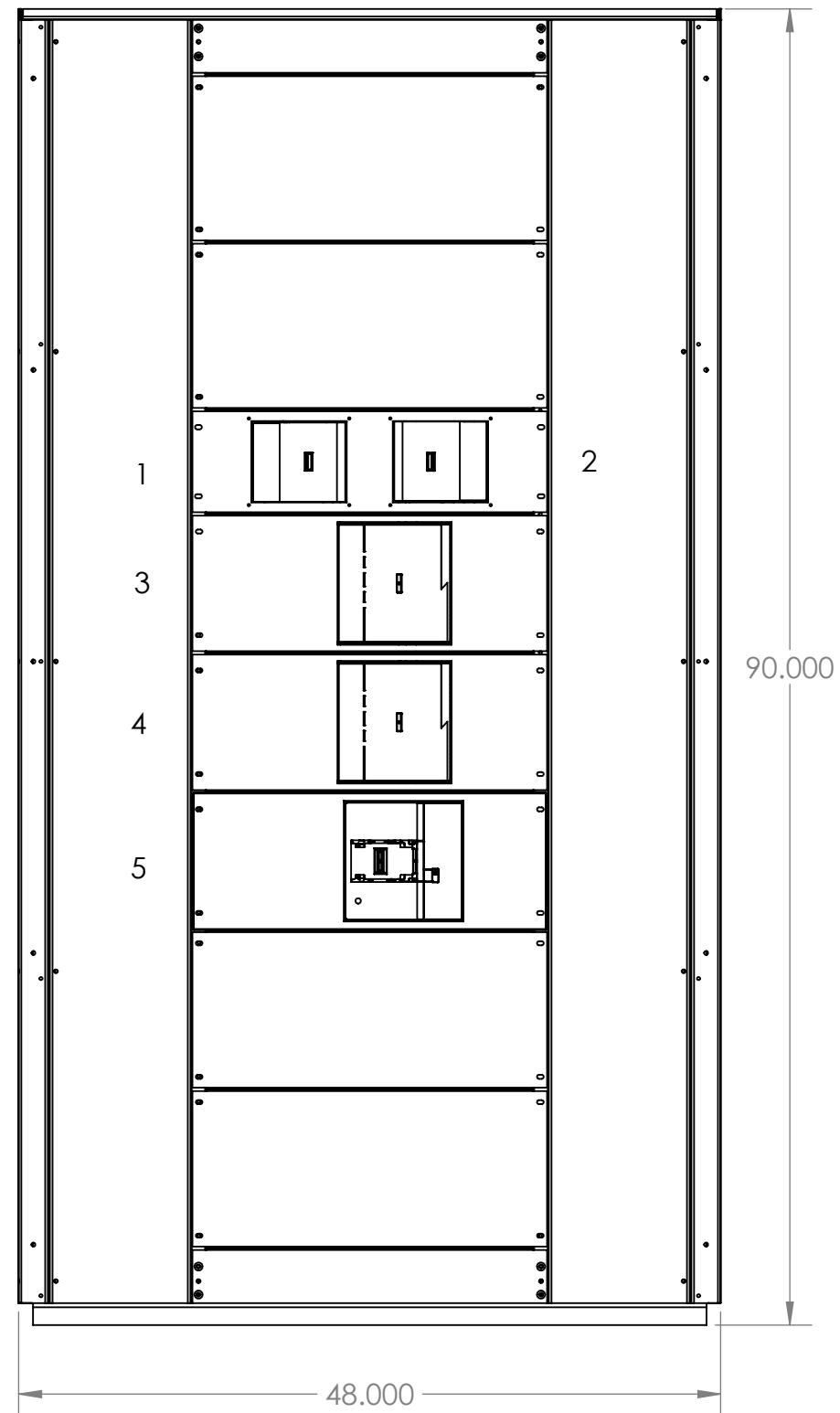
ASSEMBLY:  
UL 891 LISTED Service Entrance Rated  
Distribution Switchgear

MAIN:  
XT7  
1200a, 480V, 3PH, 4W, 65kaic  
4 HOLE 4/0 - 500MCM MECH LUG PER PHASE

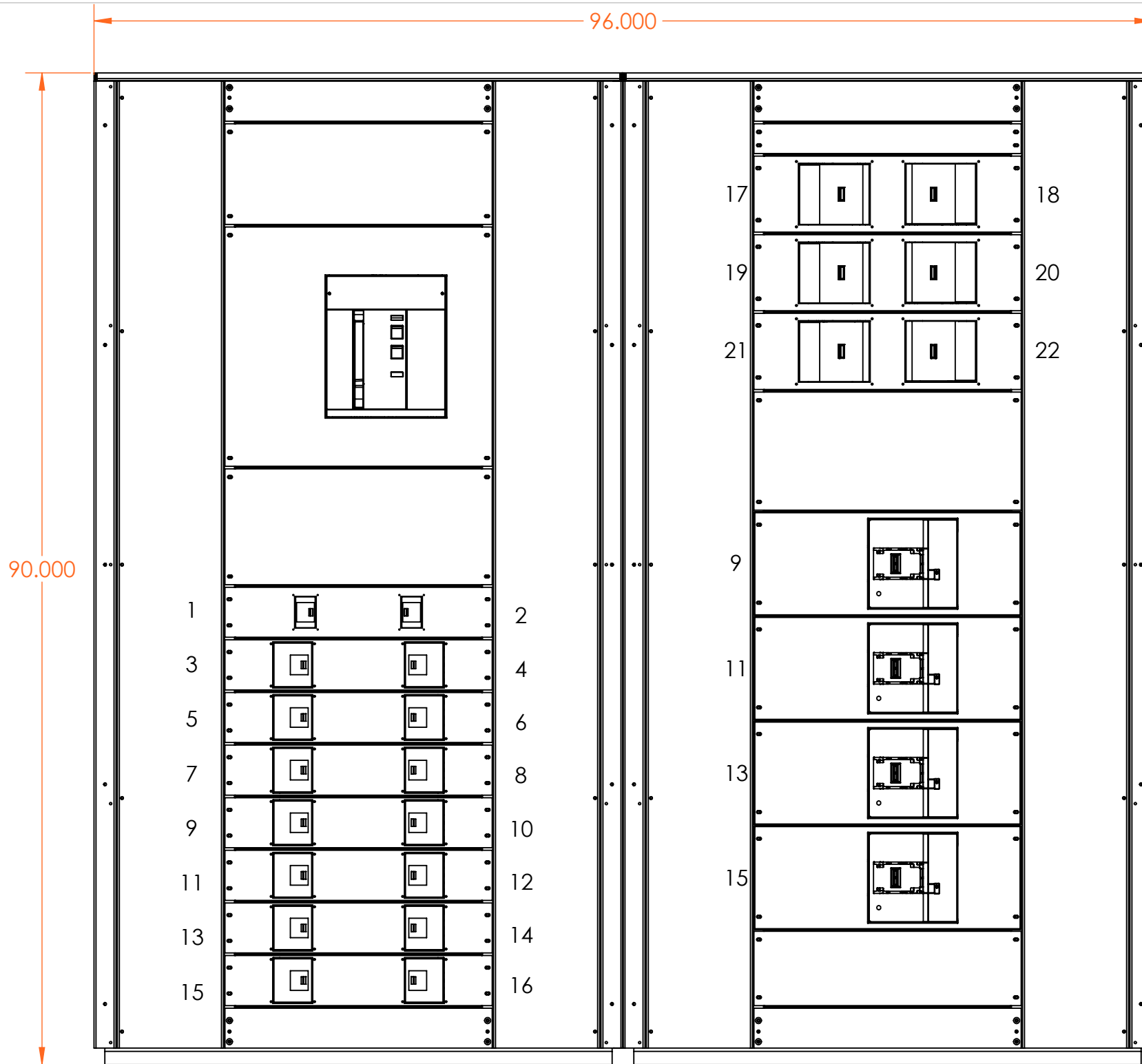
ENCLOSURE:  
90 TALL 48 WIDE 36 DEEP  
NEMA Type 1 (Indoor), PAD MOUNTABLE

ALL BUS TIN PLATED  
100% NEUTRAL  
GROUND

RELT



Circuit	Amps	Description
1	600	SPACE(PROVISION FOR FUTURE)
2	600	SPACE(PROVISION FOR FUTURE)
3	800	XT6
4	800	XT6
5	1200	XT7 SERVICE DISCONNECT(MAIN)



DFP40E6-A-2S

ASSEMBLY:  
UL 891 LISTED Service Entrance Rated Distribution Switchgear

MAIN:  
4000AMP 100% RATED E6.2VF EKIP TOUCH LSIG W/ RELT  
4000A, 480V, 3PH, 4W, 100kaic  
12 HOLE 4/0 - 600MCM MECH LUG PER PHASE

ENCLOSURE:  
90 TALL 48 WIDE 60 DEEP  
NEMA Type 1 (Indoor), PAD MOUNTABLE

ALL BUS TIN PLATED  
100% NEUTRAL  
GROUND

RELT

CIRCUIT	TRIP AMPS	DESCRIPTION	LUGS/CABLE SIZE
1	15	XT4L	(1) #4 - 300
2	15	XT4L	(1) #4 - 300
3	35	XT4L	(1) #4 - 300
4	35	XT4L	(1) #4 - 300
5	100	XT4L	(1) #4 - 300
6	100	XT4L	(1) #4 - 300
7	100	XT4L	(1) #4 - 300
8	200	XT4L	(1) #4 - 300
9	200	XT4L	(1) #4 - 300
10	200	XT4L	(1) #4 - 300
11	250	SPACE	-
12	250	SPACE	-
13	250	SPACE	-
14	250	SPACE	-
15	400	XT5L	(2) 2/0 - 500
16	400	XT5L	(2) 2/0 - 500
17	400	XT5L	(2) 2/0 - 500
18	400	XT5L	(2) 2/0 - 500
19	800	XT7L	(3) 500 - 750
20	800	XT7L	(3) 500 - 750
21	800	XT7L	(3) 500 - 750

DFP40E6-A-2S

ASSEMBLY:

UL 891 LISTED Service Entrance Rated Distribution Switchgear

MAIN:

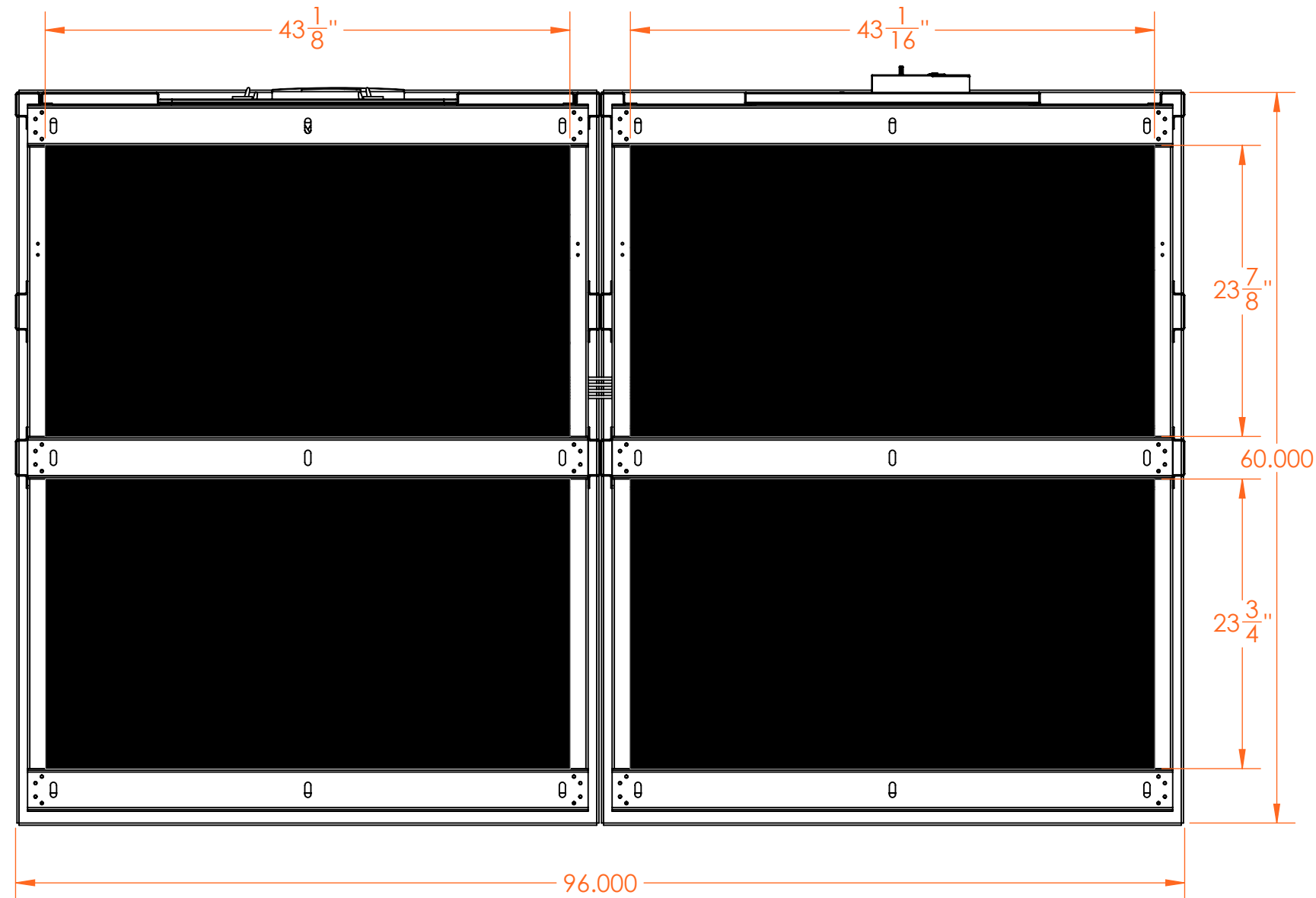
4000AMP 100% RATED E6.2VF EKIP TOUCH LSIW W/ RELT  
 4000A, 480V, 3PH, 4W, 100kaic  
 12 HOLE 4/0 - 600MCM MECH LUG PER PHASE

ENCLOSURE:

90 TALL 48 WIDE 60 DEEP  
 NEMA Type 1 (Indoor), PAD MOUNTABLE

ALL BUS TIN PLATED  
 100% NEUTRAL  
 GROUND

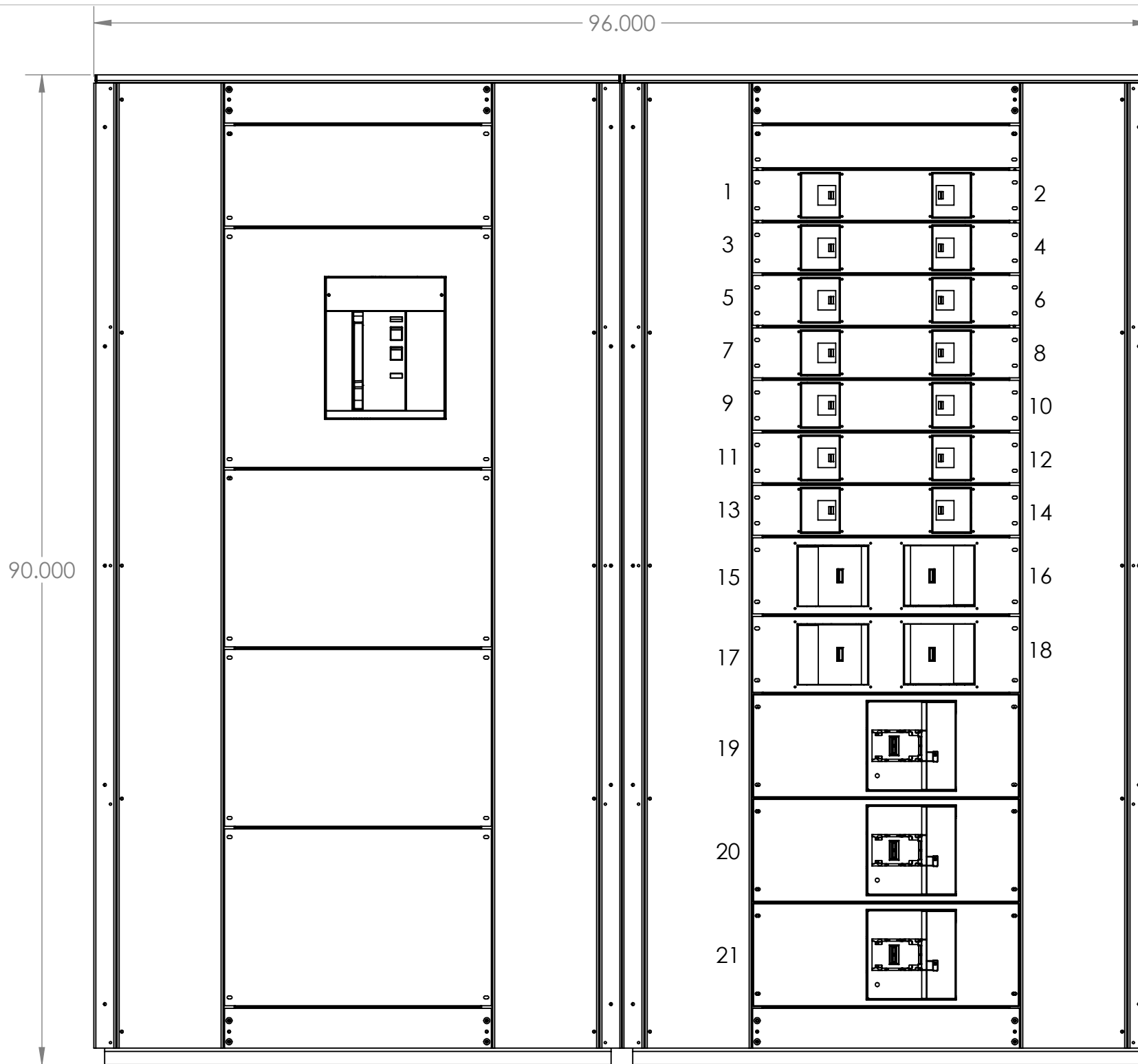
RELT



CONDUIT ENTRY

CIRCUIT	TRIP AMPS	DESCRIPTION	LUGS/CABLE SIZE
1	15	XT4L	(1) #4 - 300
2	15	XT4L	(1) #4 - 300
3	35	XT4L	(1) #4 - 300
4	35	XT4L	(1) #4 - 300
5	100	XT4L	(1) #4 - 300
6	100	XT4L	(1) #4 - 300
7	100	XT4L	(1) #4 - 300
8	200	XT4L	(1) #4 - 300
9	200	XT4L	(1) #4 - 300
10	200	XT4L	(1) #4 - 300
11	250	SPACE	-
12	250	SPACE	-
13	250	SPACE	-
14	250	SPACE	-
15	400	XT5L	(2) 2/0 - 500
16	400	XT5L	(2) 2/0 - 500
17	400	XT5L	(2) 2/0 - 500
18	400	XT5L	(2) 2/0 - 500
19	800	XT7L	(3) 500 - 750
20	800	XT7L	(3) 500 - 750
21	800	XT7L	(3) 500 - 750





DFP40E6-A-2S

**ASSEMBLY:**  
UL 891 LISTED Service Entrance Rated Distribution Switchgear

**MAIN:**  
4000AMP 100% RATED E6.2VF EKIP TOUCH LSIW W/ RELT  
4000A, 480V, 3PH, 4W, 100kaic  
12 HOLE 4/0 - 600MCM MECH LUG PER PHASE

**ENCLOSURE:**  
90 TALL 48 WIDE 60 DEEP  
NEMA Type 1 (Indoor), PAD MOUNTABLE

ALL BUS TIN PLATED  
100% NEUTRAL  
GROUND

RELT

CIRCUIT	TRIP AMPS	DESCRIPTION	LUGS/CABLE SIZE
1	15	XT4L	(1) #4 - 300
2	15	XT4L	(1) #4 - 300
3	35	XT4L	(1) #4 - 300
4	35	XT4L	(1) #4 - 300
5	100	XT4L	(1) #4 - 300
6	100	XT4L	(1) #4 - 300
7	100	XT4L	(1) #4 - 300
8	200	XT4L	(1) #4 - 300
9	200	XT4L	(1) #4 - 300
10	200	XT4L	(1) #4 - 300
11	250	SPACE	-
12	250	SPACE	-
13	250	SPACE	-
14	250	SPACE	-
15	400	XT5L	(2) 2/0 - 500
16	400	XT5L	(2) 2/0 - 500
17	400	XT5L	(2) 2/0 - 500
18	400	XT5L	(2) 2/0 - 500
19	800	XT7L	(3) 500 - 750
20	800	XT7L	(3) 500 - 750
21	800	XT7L	(3) 500 - 750

DFP40E6-A-2S

**ASSEMBLY:**

UL 891 LISTED Service Entrance Rated Distribution Switchgear

**MAIN:**

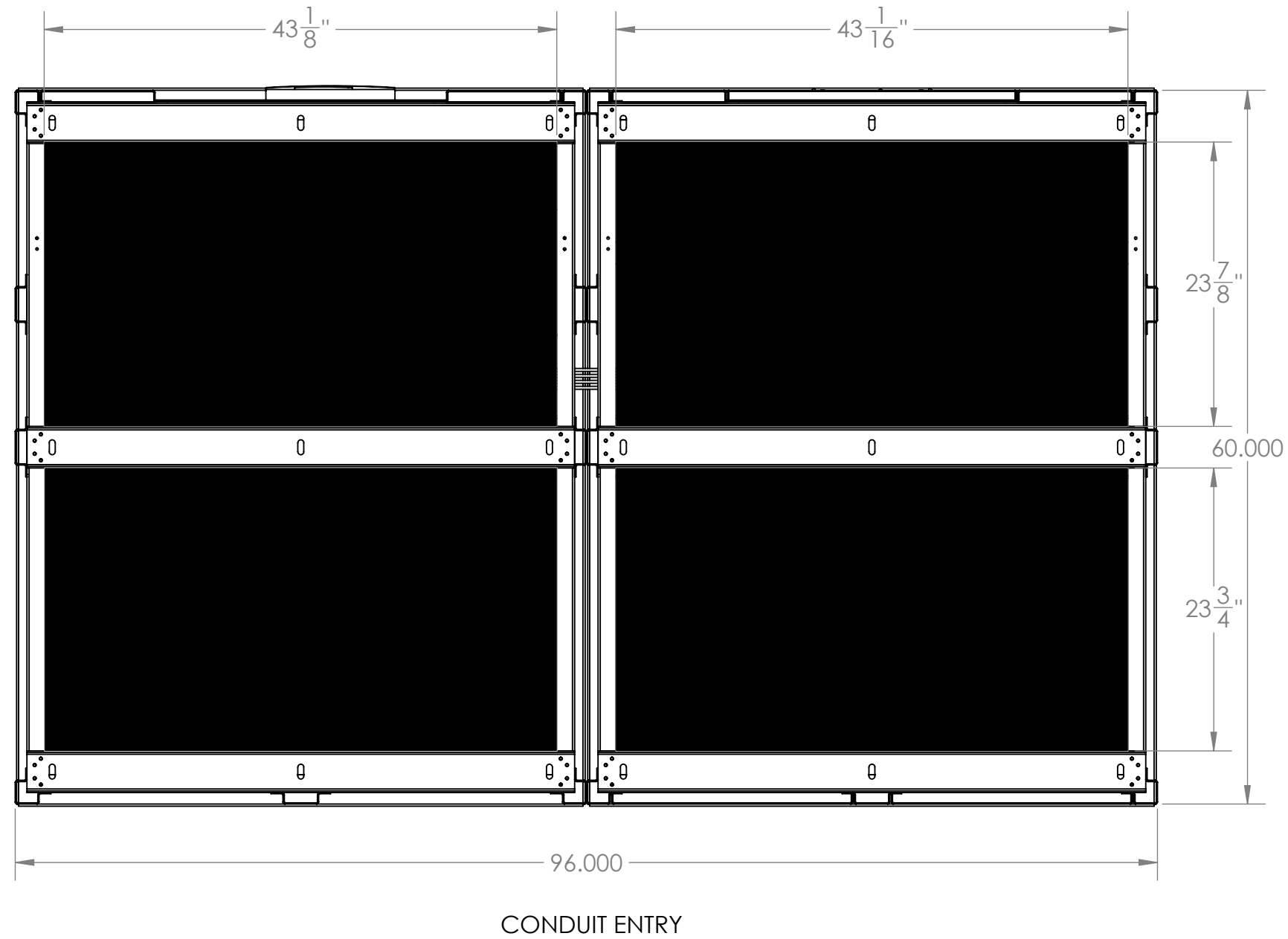
4000AMP 100% RATED E6.2VF EKIP TOUCH L SIG W/ RELT  
 4000A, 480V, 3PH, 4W, 100kaic  
 12 HOLE 4/0 - 600MCM MECH LUG PER PHASE

**ENCLOSURE:**

90 TALL 48 WIDE 60 DEEP  
 NEMA Type 1 (Indoor), PAD MOUNTABLE

ALL BUS TIN PLATED  
 100% NEUTRAL  
 GROUND

RELT



CIRCUIT	TRIP AMPS	DESCRIPTION	LUGS/CABLE SIZE
1	15	XT4L	(1) #4 - 300
2	15	XT4L	(1) #4 - 300
3	35	XT4L	(1) #4 - 300
4	35	XT4L	(1) #4 - 300
5	100	XT4L	(1) #4 - 300
6	100	XT4L	(1) #4 - 300
7	100	XT4L	(1) #4 - 300
8	200	XT4L	(1) #4 - 300
9	200	XT4L	(1) #4 - 300
10	200	XT4L	(1) #4 - 300
11	250	SPACE	-
12	250	SPACE	-
13	250	SPACE	-
14	250	SPACE	-
15	400	XT5L	(2) 2/0 - 500
16	400	XT5L	(2) 2/0 - 500
17	400	XT5L	(2) 2/0 - 500
18	400	XT5L	(2) 2/0 - 500
19	800	XT7L	(3) 500 - 750
20	800	XT7L	(3) 500 - 750
21	800	XT7L	(3) 500 - 750

DFP12T8-3R

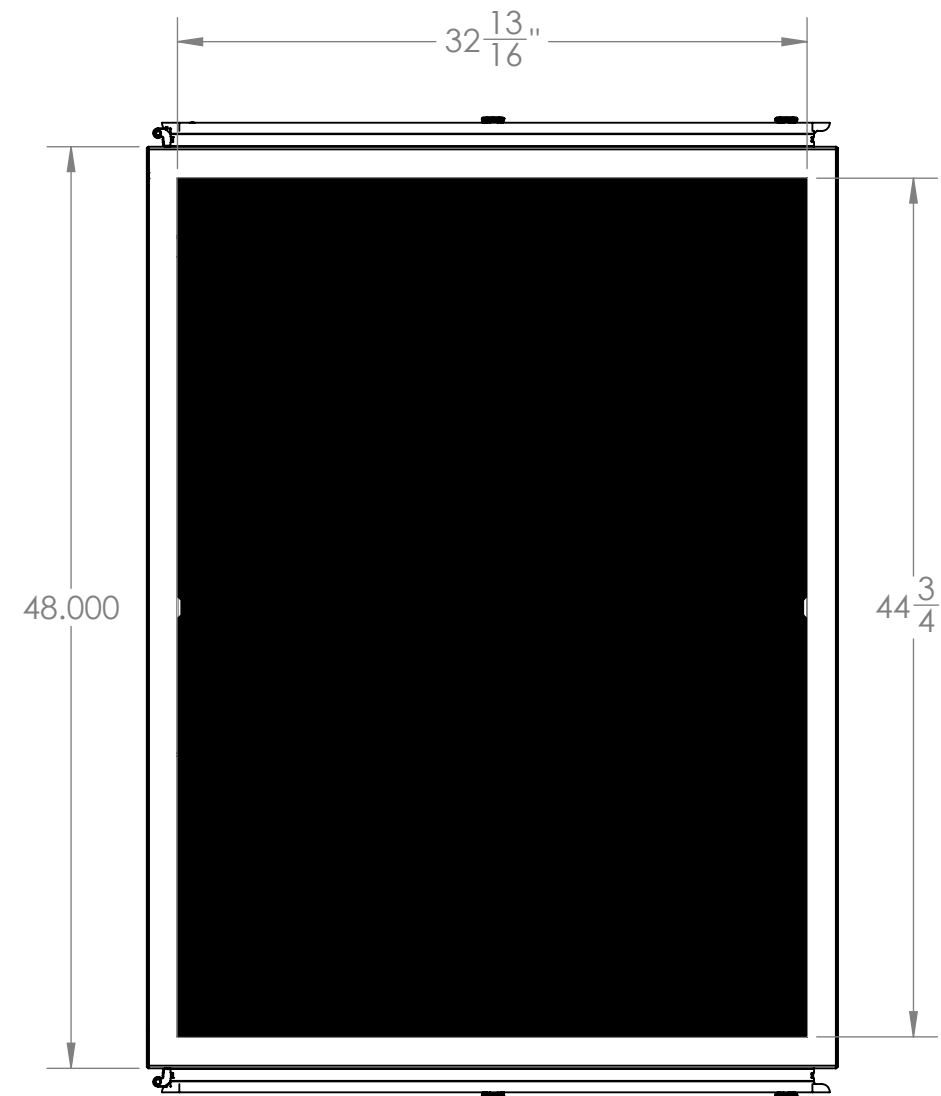
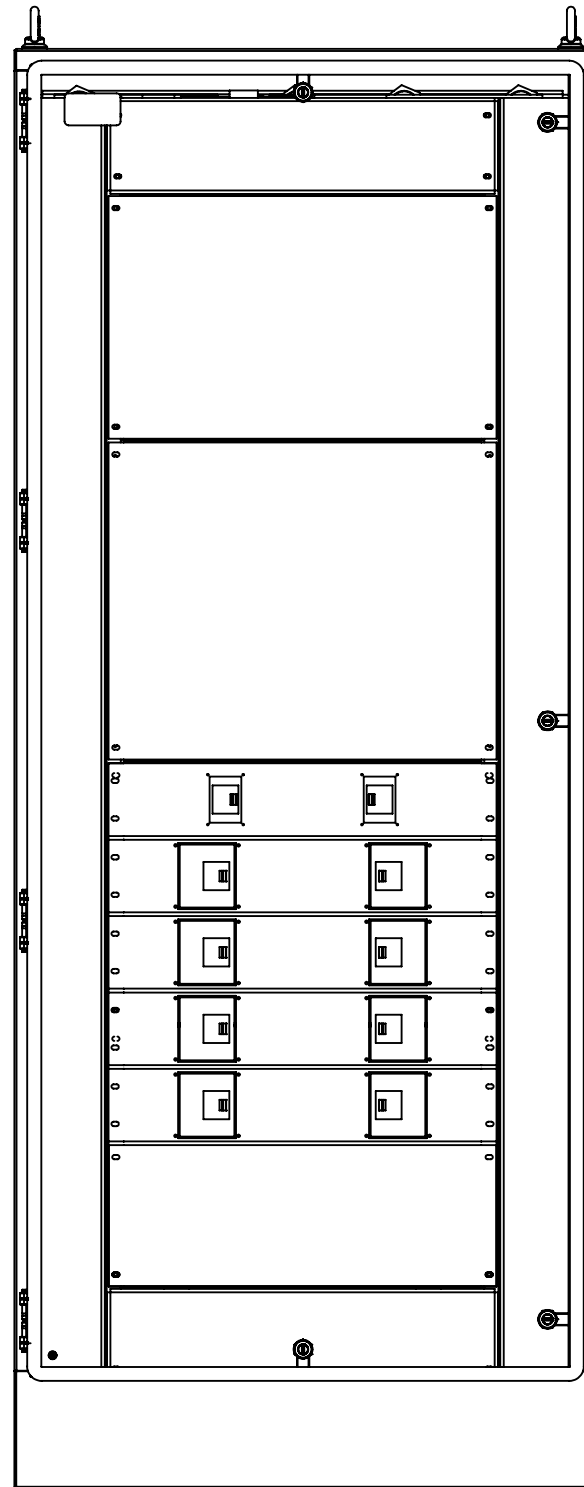
ASSEMBLY:  
UL 891 LISTED Main Lug Only Switchboard

MAIN:  
MLO  
1200A, 480V, 3PH, 4W, 65kaic  
6 HOLE 4/0 - 750MCM MECH LUG PER PHASE

ENCLOSURE:  
90 TALL 36 WIDE 48 DEEP  
NEMA Type 3 (Outdoor), PAD MOUNTABLE

ALL BUS TIN PLATED  
100% NEUTRAL  
GROUND

RELT



Circuit	Amps	Description	Description	Amps	Circuit
1	100	XT1HU3100AAA000XXX	XT1HU3100AAA000XXX	100	2
3	225	XT4HU3225AFF000XXX	XT4HU3225AFF000XXX	225	4
5	225	XT4HU3225AFF000XXX	XT4HU3225AFF000XXX	225	6
7	225	XT4HU3225AFF000XXX	XT4HU3200AFF000XXX	200	8
9	200	XT4HU3200AFF000XXX	XT4HU3200AFF000XXX	200	10

000166-DFP12XT7-1-LEGACY-72311

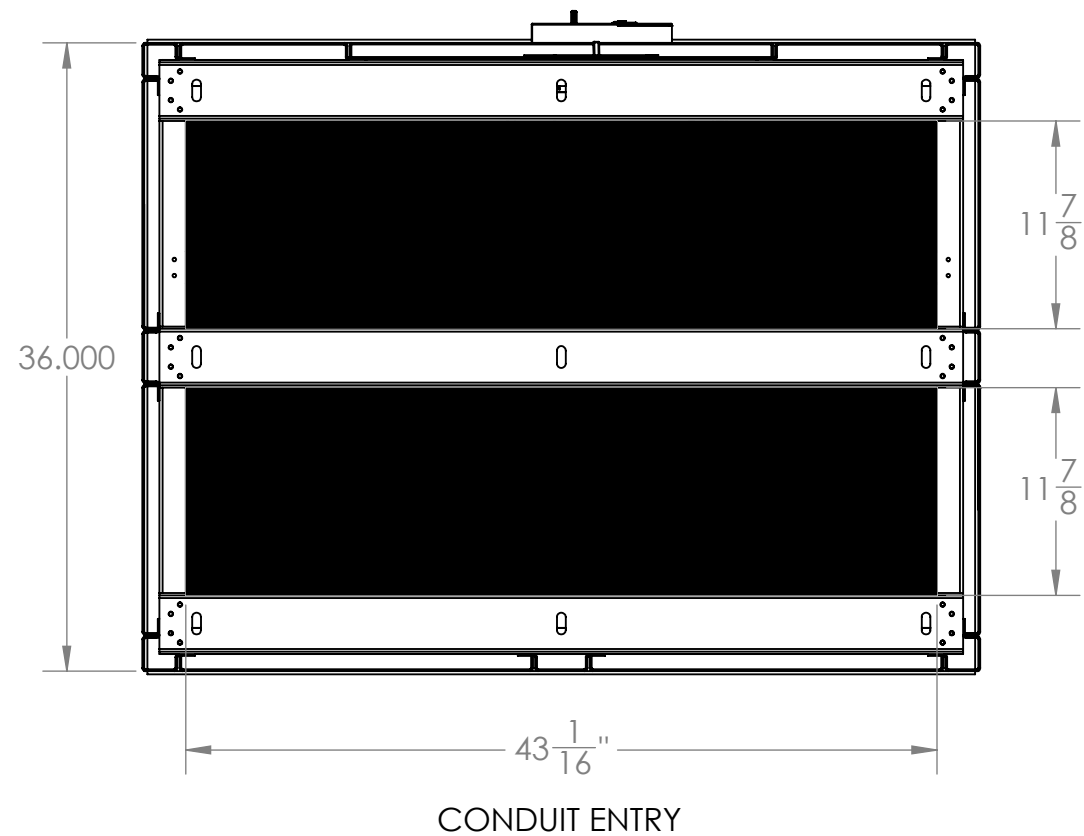
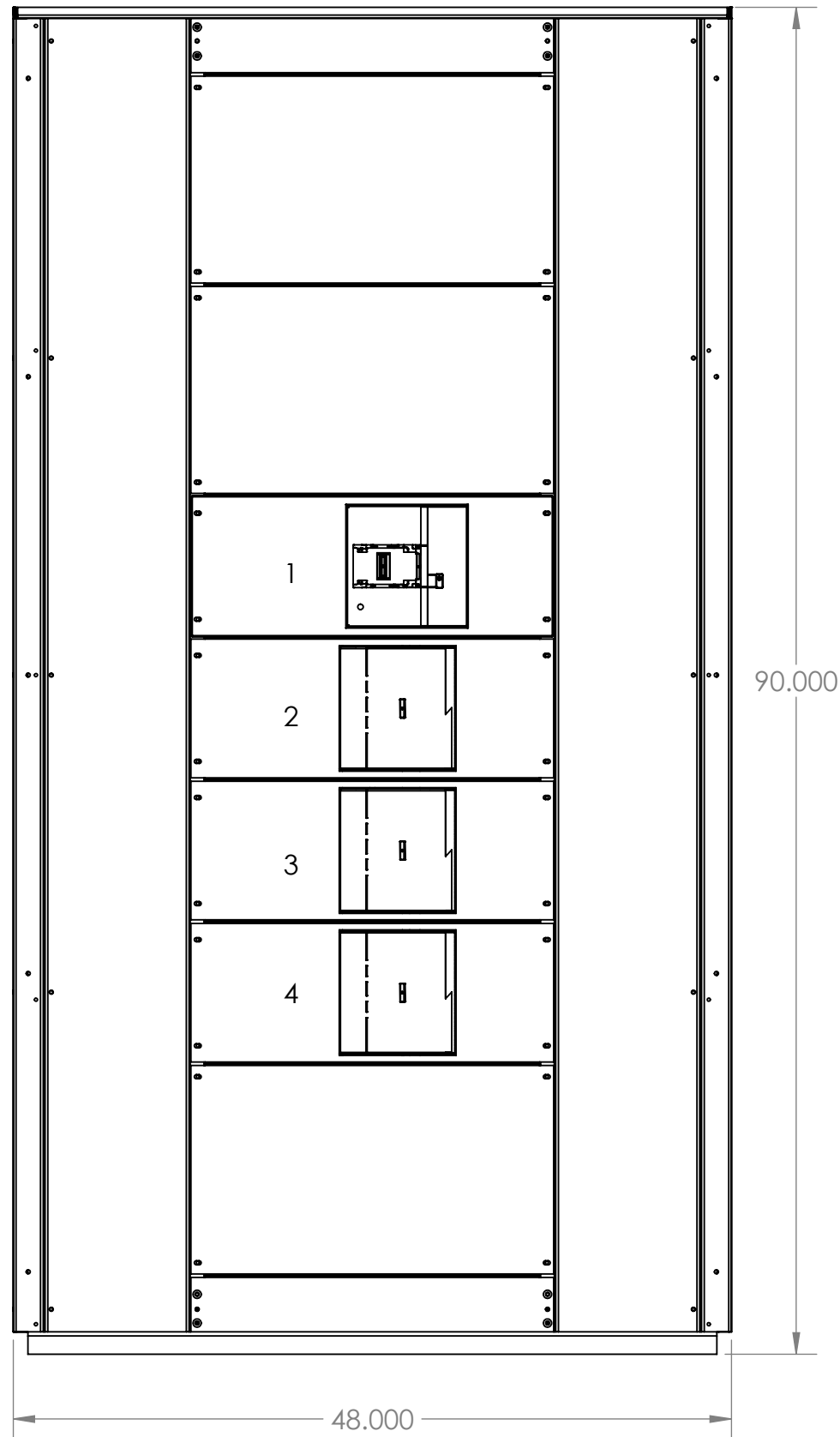
ASSEMBLY:  
UL 891 LISTED Service Entrance Rated  
Distribution Switchgear

MAIN:  
XT7SU312EQFF940XXXXT7S  
1200A, 480Y/277, 3PH, 4W, 35kaic  
4 HOLE - 4/0 - 500

ENCLOSURE:  
90 TALL 48 WIDE 36 DEEP  
NEMA Type 1 (Indoor), PAD MOUNTABLE

ALL BUS TIN PLATED  
100% NEUTRAL  
GROUND

RELT



CIRCUIT	TRIP AMPS	DESCRIPTION	LUGS/CABLE SIZE
1	1200	XT7	(4) - 4/0 - 500
2	800	XT6SU3800EFF000XXXXT6S	(2) 250 - 500
3	800	XT6SU3800EFF000XXXXT6S	(2) 250 - 500
4	-	XT6 SPACE	-

000167-DFP4DSC-3R-TWO WIRE-72427

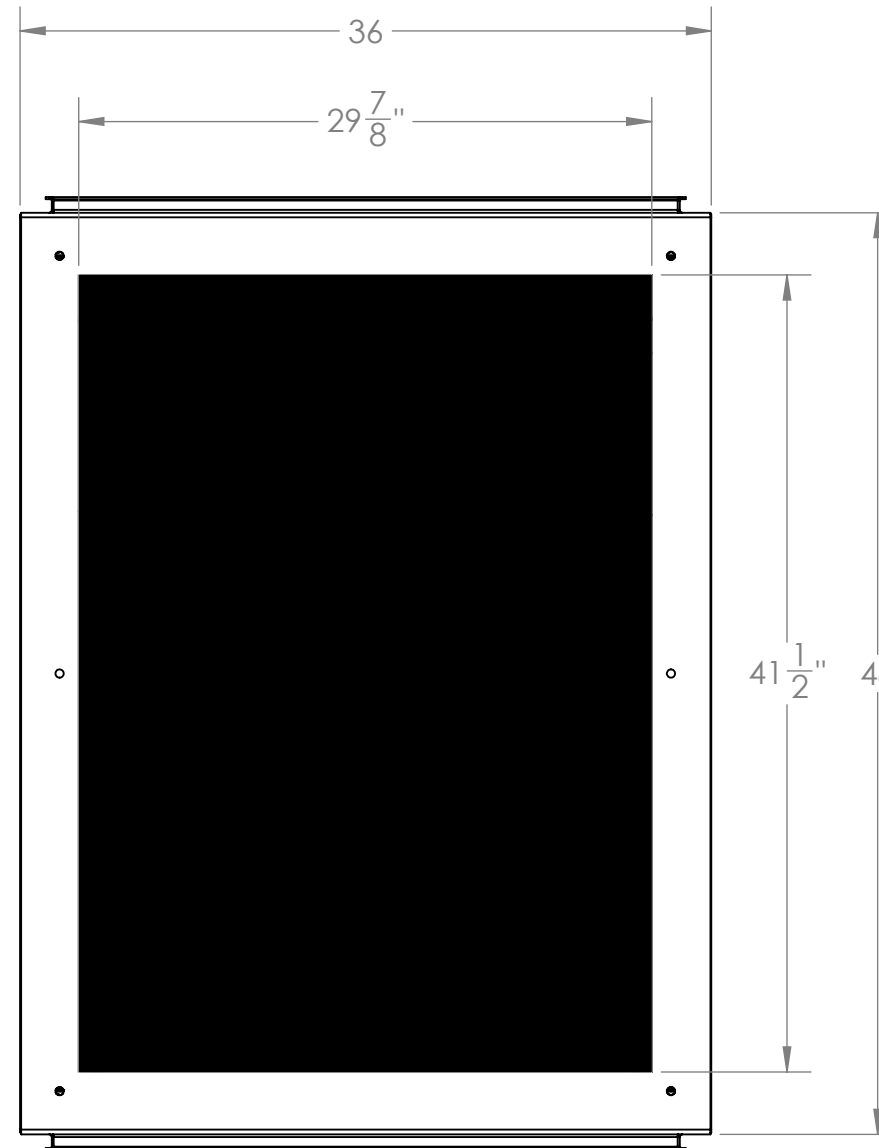
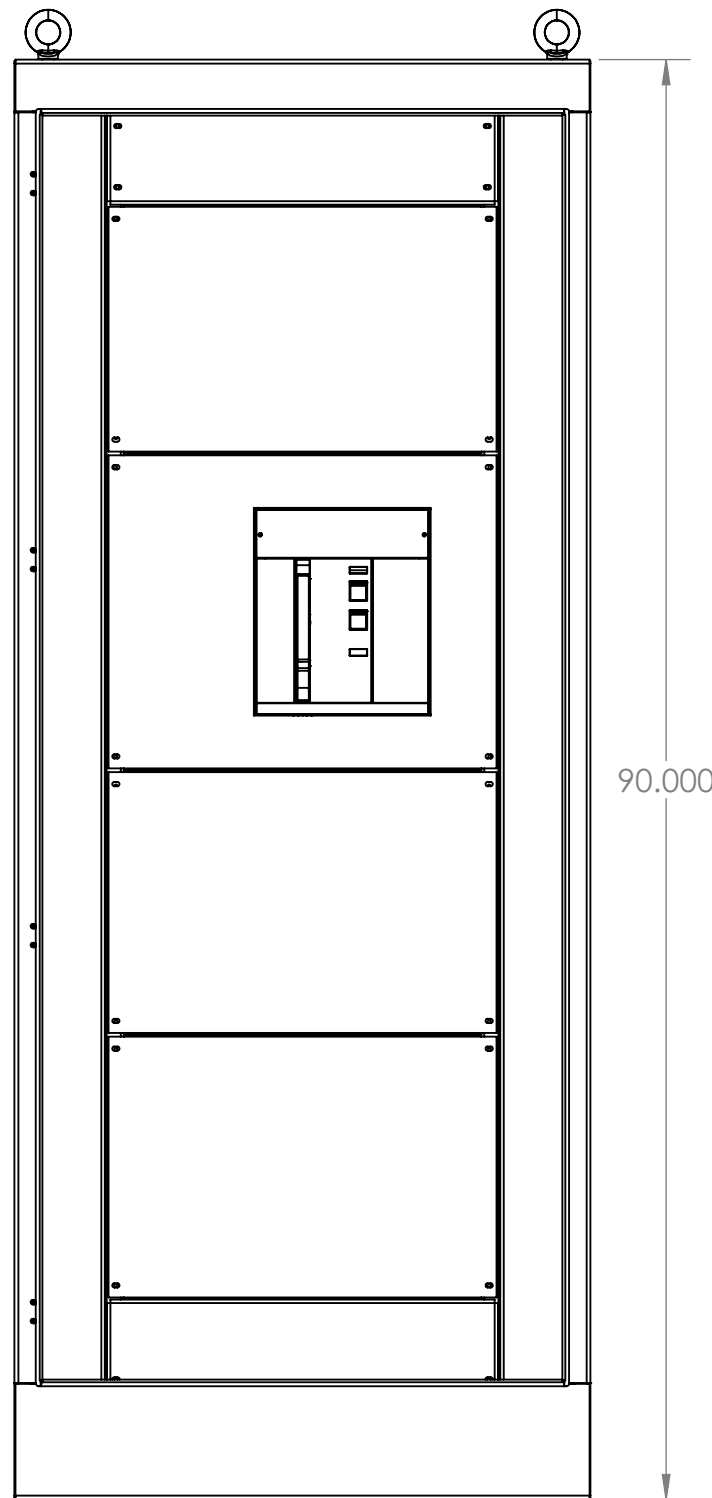
**ASSEMBLY:**  
UL 891 LISTED Service Entrance Rated  
Disconnect Switch

**MAIN:**  
E6  
4000A, 480V, 3PH, 4W, 100kaic  
12 HOLE 4/0 - 600MCM MECH LUG PER PHASE

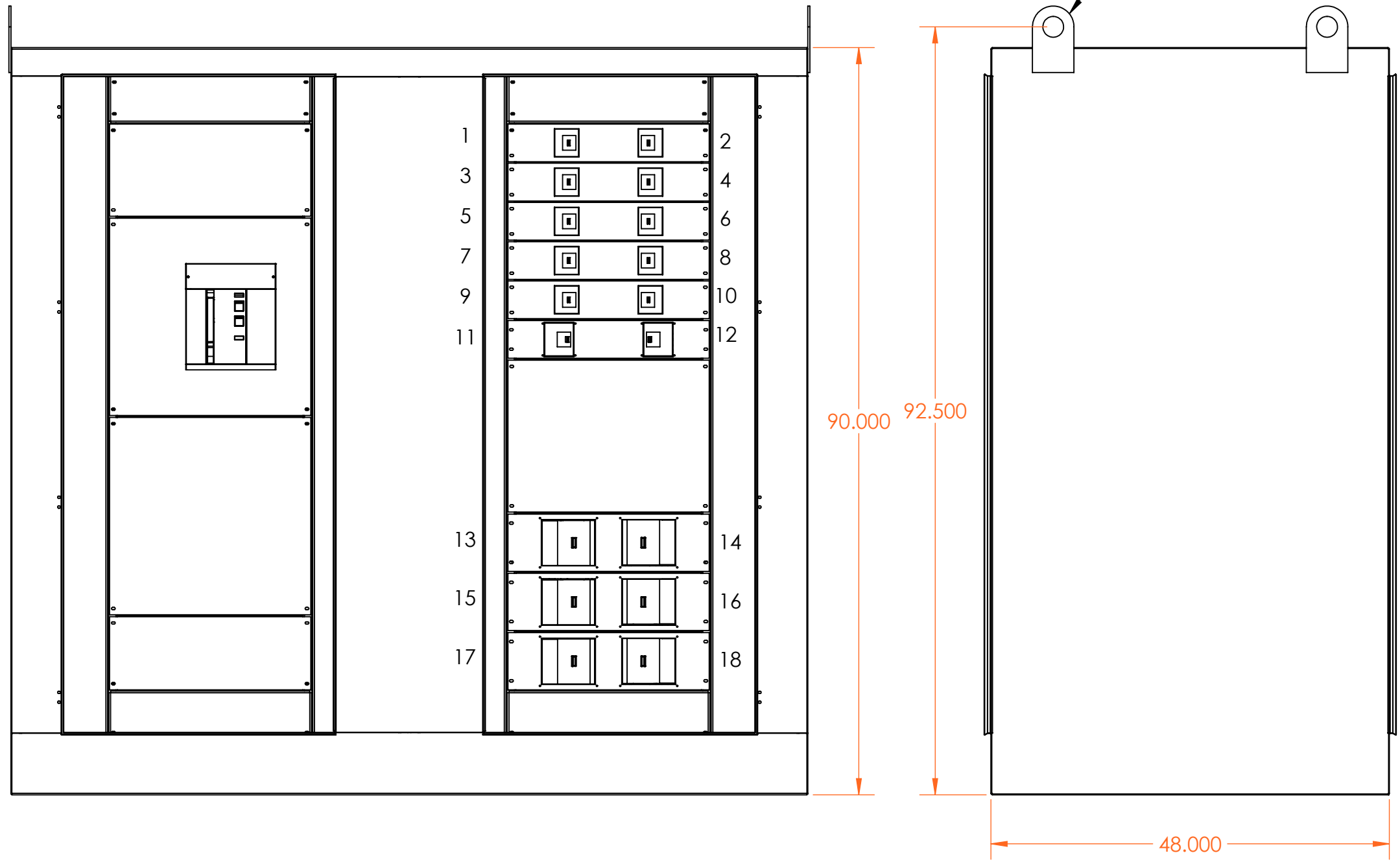
**ENCLOSURE:**  
90 TALL 36 WIDE 48 DEEP  
NEMA Type 3 (Outdoor), PAD MOUNTABLE

ALL BUS TIN PLATED  
100% NEUTRAL  
GROUND

RELT



4000A Manual Transfer Switch with Distribution



172-DFP40E6-3R-2S

**ASSEMBLY:**  
UL 89T LISTED Service Entrance Rated  
Distribution Switchgear

**MAIN:**  
MANUAL TRANSFER SWITCH, KIRK KEY INTERLOCK  
ZBVJURBFSOLAOOOOOO7XX, RELT + LSIG MAIN  
4000A, 480Y/277, 3PH, 4W, 100kaic  
12 HOLE 4/0 - 600MCM MECH LUG PER PHASE

**ENCLOSURE:**  
90 TALL 84 WIDE 48 DEEP  
NEMA Type 3 (Outdoor), PAD MOUNTABLE

ALL BUS TIN PLATED  
100% NEUTRAL  
GROUND

RELT

CIRCUIT	TRIP AMPS	Frame Size	LUGS/CABLE SIZE
1	20	XT2	(1) #10 - 2/0
2	20	XT2	(1) #10 - 2/0
3	20	XT2	(1) #10 - 2/0
4	20	XT2	(1) #10 - 2/0
5	20	XT2	(1) #10 - 2/0
6	50	XT2	(1) #10 - 2/0
7	50	XT2	(1) #10 - 2/0
8	50	XT2	(1) #10 - 2/0
9	50	XT2	(1) #10 - 2/0
10	50	XT2	(1) #10 - 2/0
11	125	XT4	(1) #14 - 1/0
12	SPACE	XT4	-
13	600	XT5	(1) 4/0 - 500
14	600	XT5	(1) 4/0 - 500
15	600	XT5	(1) 4/0 - 500
16	600	XT5	(1) 4/0 - 500
17	600	XT5	(1) 4/0 - 500
18	SPACE	XT5	-

172-DFP40E6-3R-2S

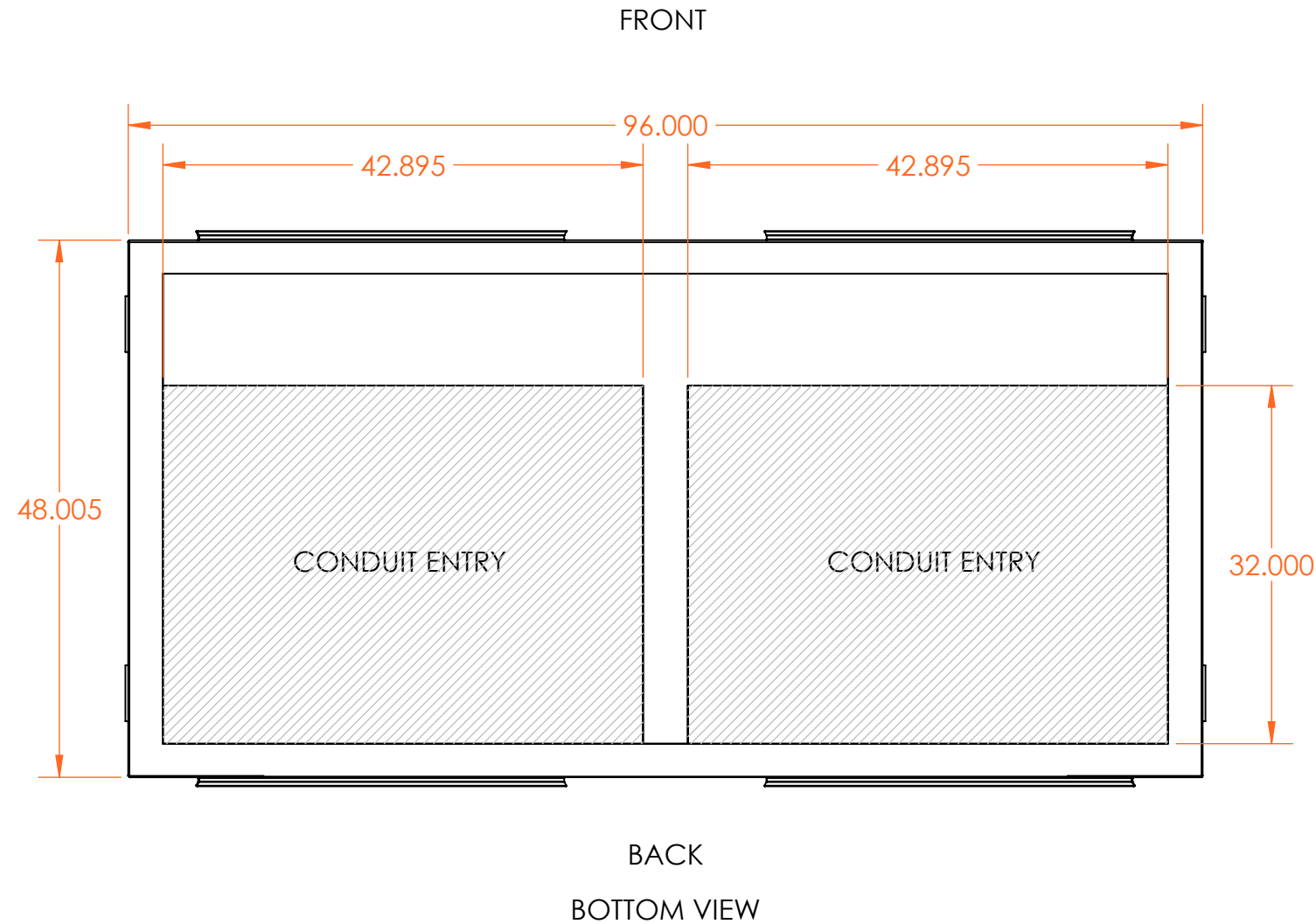
**ASSEMBLY:**  
 UL 891 LISTED Service Entrance Rated  
 Distribution Switchgear

**MAIN:**  
 ZBVJURBFSOLAOOOOOO7XX, RELT + LSIG MAIN  
 4000A, 480Y/277, 3PH, 4W, 100kaic  
 12 HOLE 4/0 - 600MCM MECH LUG PER PHASE

**ENCLOSURE:**  
 90 TALL 84 WIDE 48 DEEP  
 NEMA Type 3 (Outdoor), PAD MOUNTABLE

ALL BUS TIN PLATED  
 100% NEUTRAL  
 GROUND

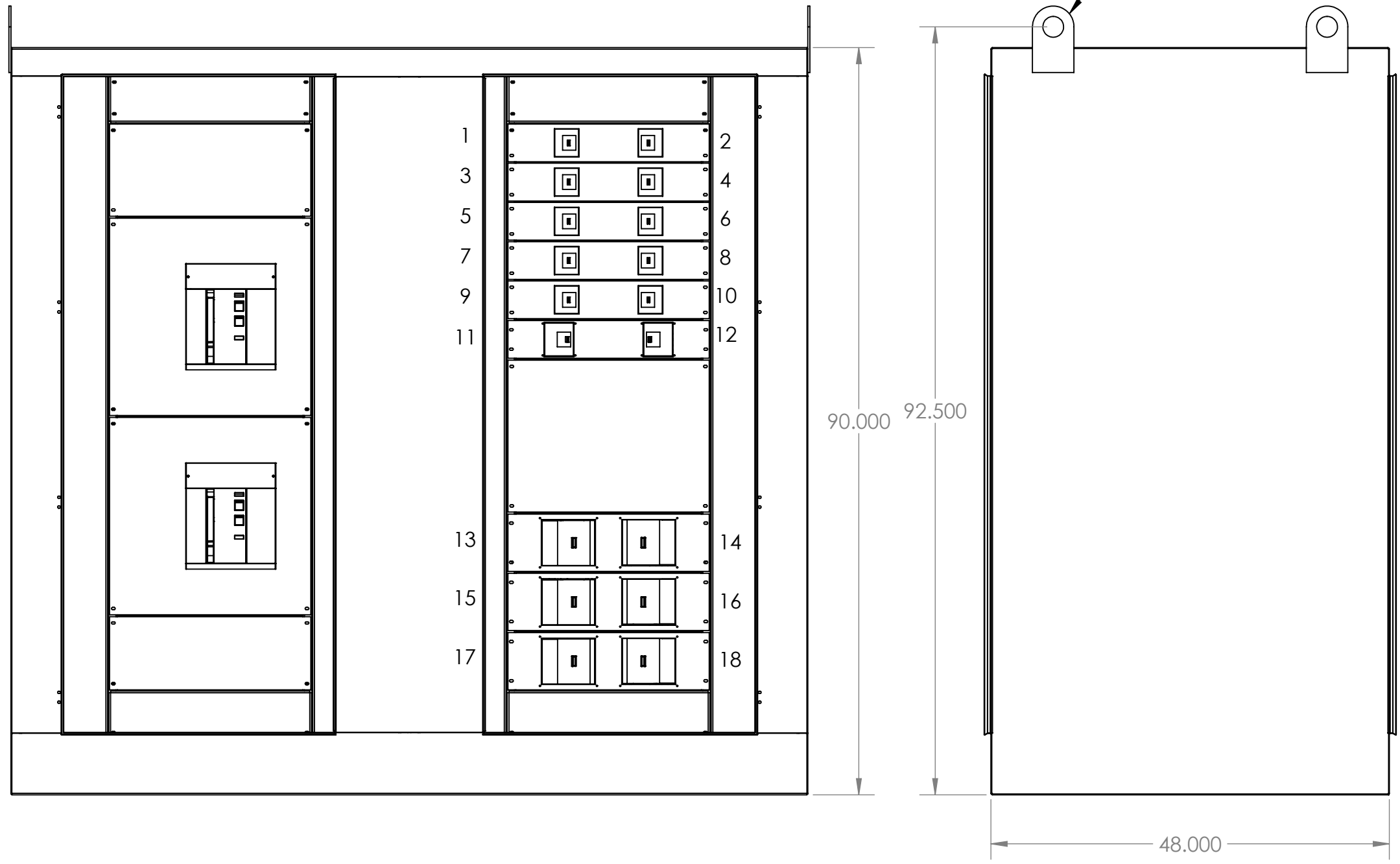
RELT



CIRCUIT	TRIP AMPS	Frame Size	LUGS/CABLE SIZE
1	20	XT2	(1) #10 - 2/0
2	20	XT2	(1) #10 - 2/0
3	20	XT2	(1) #10 - 2/0
4	20	XT2	(1) #10 - 2/0
5	20	XT2	(1) #10 - 2/0
6	50	XT2	(1) #10 - 2/0
7	50	XT2	(1) #10 - 2/0
8	50	XT2	(1) #10 - 2/0
9	50	XT2	(1) #10 - 2/0
10	50	XT2	(1) #10 - 2/0
11	125	XT4	(1) #14 - 1/0
12	SPACE	XT4	-
13	600	XT5	(1) 4/0 - 500
14	600	XT5	(1) 4/0 - 500
15	600	XT5	(1) 4/0 - 500
16	600	XT5	(1) 4/0 - 500
17	600	XT5	(1) 4/0 - 500
18	SPACE	XT5	-



4000A Manual Transfer Switch with Distribution



172-DFP40E6-3R-2S

**ASSEMBLY:**  
UL 89T LISTED Service Entrance Rated  
Distribution Switchgear

**MAIN:**  
MANUAL TRANSFER SWITCH, KIRK KEY INTERLOCK  
ZBVJURBFSOLAOOOOOO7XX, RELT + LSIG MAIN  
4000A, 480Y/277, 3PH, 4W, 100kaic  
12 HOLE 4/0 - 600MCM MECH LUG PER PHASE

**ENCLOSURE:**  
90 TALL 84 WIDE 48 DEEP  
NEMA Type 3 (Outdoor), PAD MOUNTABLE

ALL BUS TIN PLATED  
100% NEUTRAL  
GROUND

RELT

CIRCUIT	TRIP AMPS	Frame Size	LUGS/CABLE SIZE
1	20	XT2	(1) #10 - 2/0
2	20	XT2	(1) #10 - 2/0
3	20	XT2	(1) #10 - 2/0
4	20	XT2	(1) #10 - 2/0
5	20	XT2	(1) #10 - 2/0
6	50	XT2	(1) #10 - 2/0
7	50	XT2	(1) #10 - 2/0
8	50	XT2	(1) #10 - 2/0
9	50	XT2	(1) #10 - 2/0
10	50	XT2	(1) #10 - 2/0
11	125	XT4	(1) #14 - 1/0
12	SPACE	XT4	-
13	600	XT5	(2) 2/0 - 500
14	600	XT5	(2) 2/0 - 500
15	600	XT5	(2) 2/0 - 500
16	600	XT5	(2) 2/0 - 500
17	600	XT5	(2) 2/0 - 500



172-DFP40E6-3R-2S

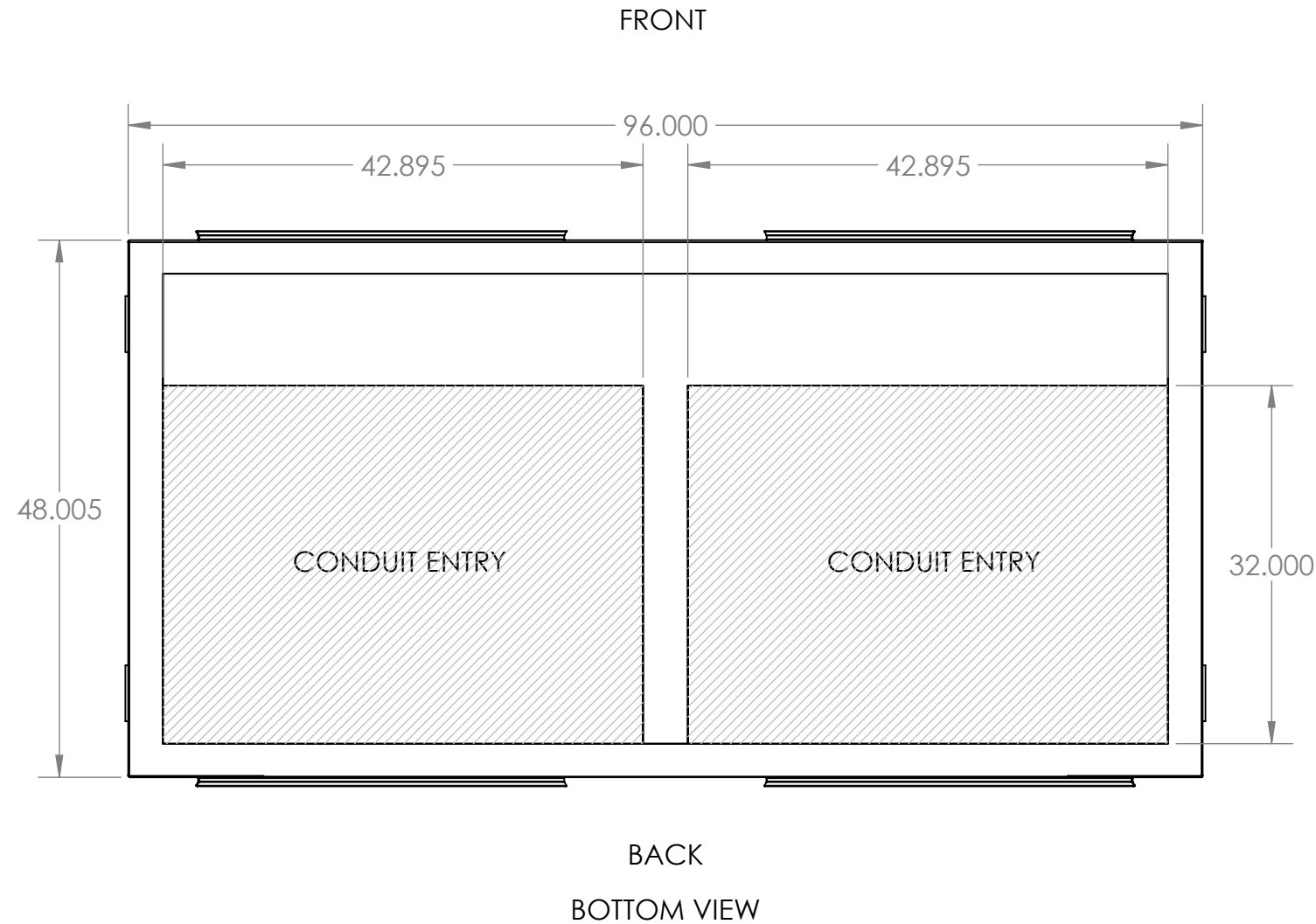
**ASSEMBLY:**  
 UL 891 LISTED Service Entrance Rated  
 Distribution Switchgear

**MAIN:**  
 ZBVJURBFSOLA000007XX, RELT + L SIG MAIN  
 4000A, 480Y/277, 3PH, 4W, 100kaic  
 12 HOLE 4/0 - 600MCM MECH LUG PER PHASE

**ENCLOSURE:**  
 90 TALL 84 WIDE 48 DEEP  
 NEMA Type 3 (Outdoor), PAD MOUNTABLE

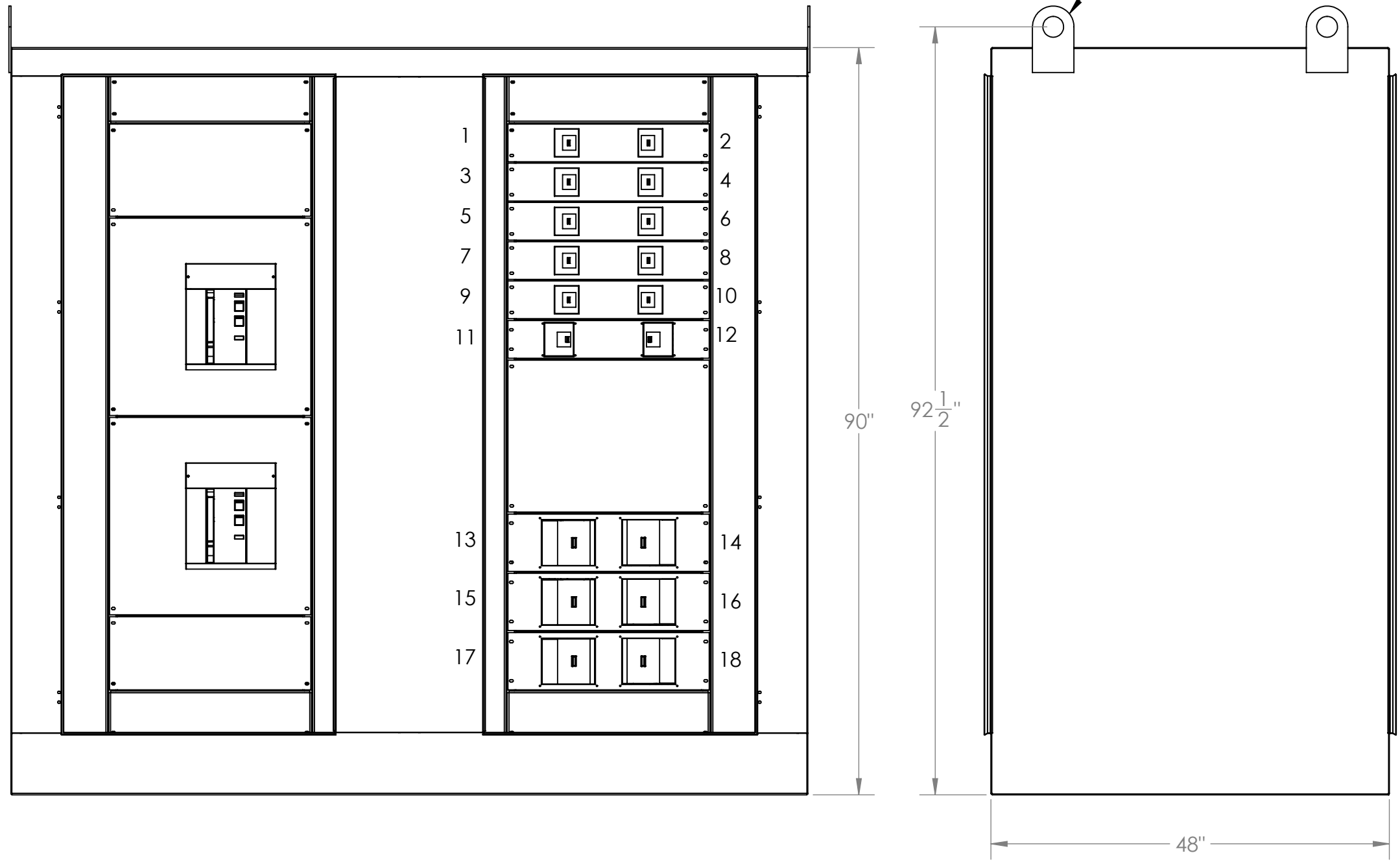
ALL BUS TIN PLATED  
 100% NEUTRAL  
 GROUND

RELT



CIRCUIT	TRIP AMPS	Frame Size	LUGS/CABLE SIZE
1	20	XT2	(1) #10 - 2/0
2	20	XT2	(1) #10 - 2/0
3	20	XT2	(1) #10 - 2/0
4	20	XT2	(1) #10 - 2/0
5	20	XT2	(1) #10 - 2/0
6	50	XT2	(1) #10 - 2/0
7	50	XT2	(1) #10 - 2/0
8	50	XT2	(1) #10 - 2/0
9	50	XT2	(1) #10 - 2/0
10	50	XT2	(1) #10 - 2/0
11	125	XT4	(1) #14 - 1/0
12	SPACE	XT4	-
13	600	XT5	(1) 4/0 - 500
14	600	XT5	(1) 4/0 - 500
15	600	XT5	(1) 4/0 - 500
16	600	XT5	(1) 4/0 - 500
17	600	XT5	(1) 4/0 - 500
18	SPACE	XT5	-

4000A Manual Transfer Switch with Distribution



172-DFP40E6-3R-2S

**ASSEMBLY:**  
UL 89T LISTED Service Entrance Rated  
Distribution Switchgear

**MAIN:**  
MANUAL TRANSFER SWITCH, KIRK KEY INTERLOCK  
ZBVJURBFSOLAOOOOOO7XX, RELT + LSIG MAIN  
4000A, 480Y/277, 3PH, 4W, 100kaic  
12 HOLE 4/0 - 600MCM MECH LUG PER PHASE

**ENCLOSURE:**  
90 TALL 84 WIDE 48 DEEP  
NEMA Type 3 (Outdoor), PAD MOUNTABLE

ALL BUS TIN PLATED  
100% NEUTRAL  
GROUND

RELT

CIRCUIT	TRIP AMPS	Frame Size	LUGS/CABLE SIZE
1	20	XT2	(1) #10 - 2/0
2	20	XT2	(1) #10 - 2/0
3	20	XT2	(1) #10 - 2/0
4	20	XT2	(1) #10 - 2/0
5	20	XT2	(1) #10 - 2/0
6	50	XT2	(1) #10 - 2/0
7	50	XT2	(1) #10 - 2/0
8	50	XT2	(1) #10 - 2/0
9	50	XT2	(1) #10 - 2/0
10	50	XT2	(1) #10 - 2/0
11	125	XT4	(1) #14 - 1/0
12	SPACE	XT4	-
13	600	XT5	(2) 2/0 - 500
14	600	XT5	(2) 2/0 - 500
15	600	XT5	(2) 2/0 - 500
16	600	XT5	(2) 2/0 - 500
17	600	XT5	(2) 2/0 - 500

172-DFP40E6-3R-2S

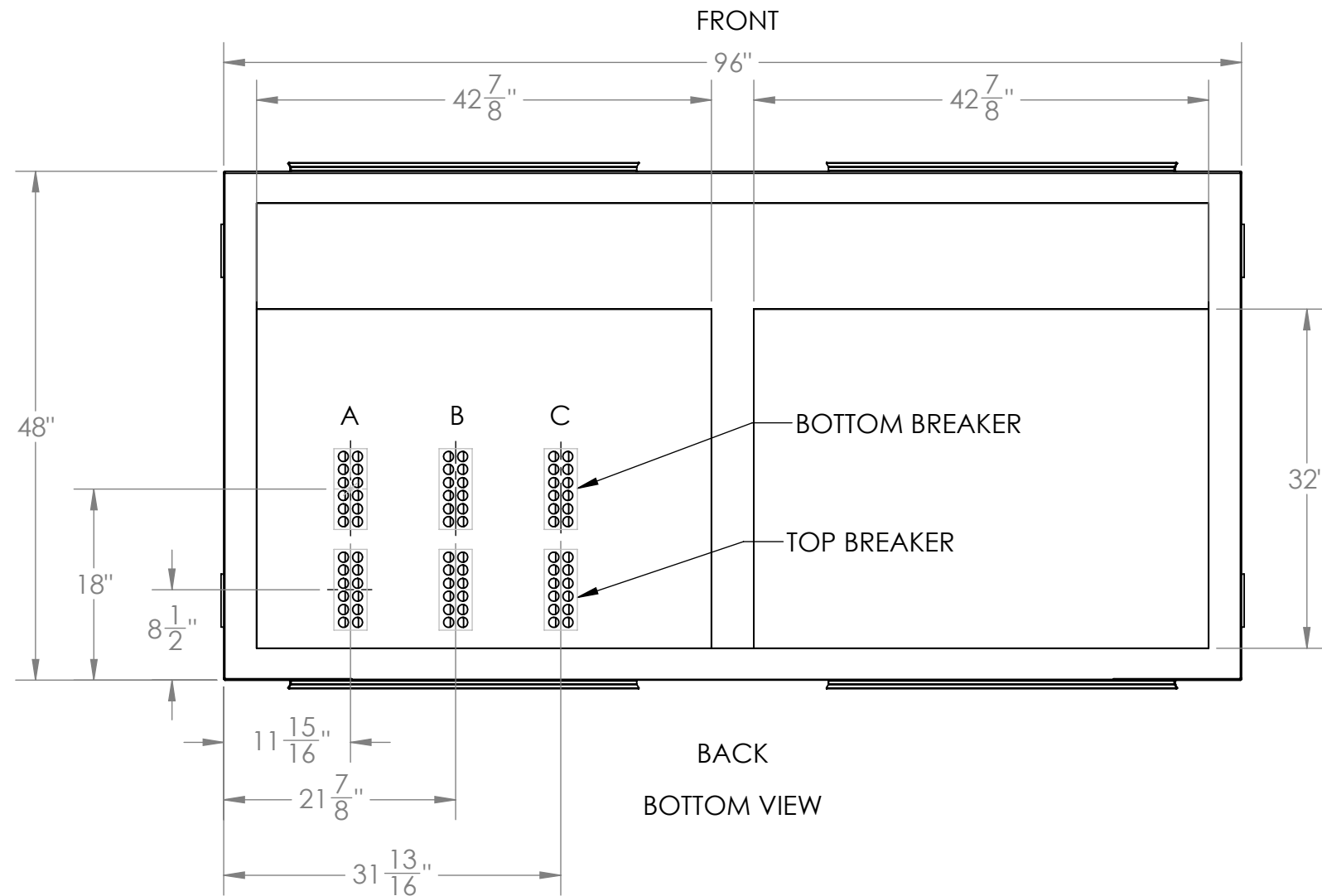
**ASSEMBLY:**  
UL 891 LISTED Service Entrance Rated  
Distribution Switchgear

**MAIN:**  
ZBVJURBFSOLA000007XX, RELT + LSIG MAIN  
4000A, 480Y/277, 3PH, 4W, 100kaic  
12 HOLE 4/0 - 600MCM MECH LUG PER PHASE

**ENCLOSURE:**  
90 TALL 84 WIDE 48 DEEP  
NEMA Type 3 (Outdoor), PAD MOUNTABLE

ALL BUS TIN PLATED  
100% NEUTRAL  
GROUND

RELT



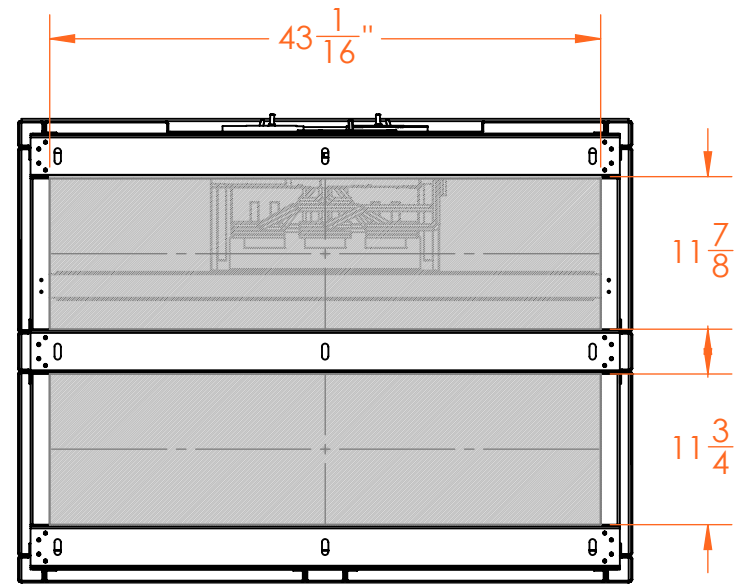
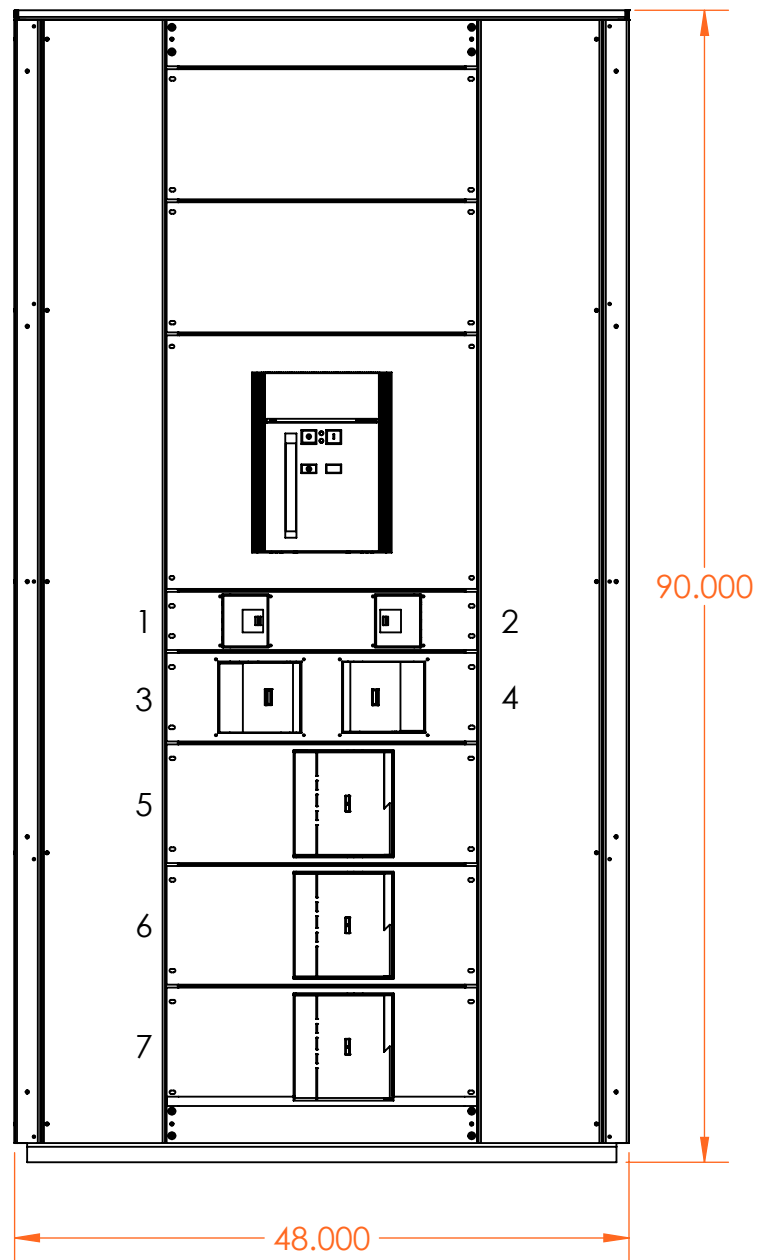
000173-DFP25T8-1-WESTOVER

**ASSEMBLY:**  
 UL 891 LISTED Service Entrance Rated  
 Distribution Switchgear

**MAIN:**  
 T8V GROUND FAULT  
 2500A, 480Y/277, 3PH, 4W, 65kaic  
 6 HOLE 4/0 - 750MCM MECH LUG PER PHASE

**ENCLOSURE:**  
 90 TALL 48 WIDE 36 DEEP  
 NEMA Type 1 (Indoor), PAD MOUNTABLE

ALL BUS TIN PLATED  
 100% NEUTRAL  
 GROUND



CONDUIT ENTRY DETAIL

CIRCUIT	TRIP AMPS	Frame Size	LUGS/CABLE SIZE
1	225	XT4	(1) #14 - 1/0
2	250	XT4	(1) #14 - 1/0
3	400	XT5	(1) 4/0 - 500
4	600	XT5	(1) 4/0 - 500
5	800	XT6	(2) 250 - 500
6	SPACE	XT6	-
7	SPACE	XT6	-

000174-DFP30T8-1-EXCO HOUSTON-QUOTE

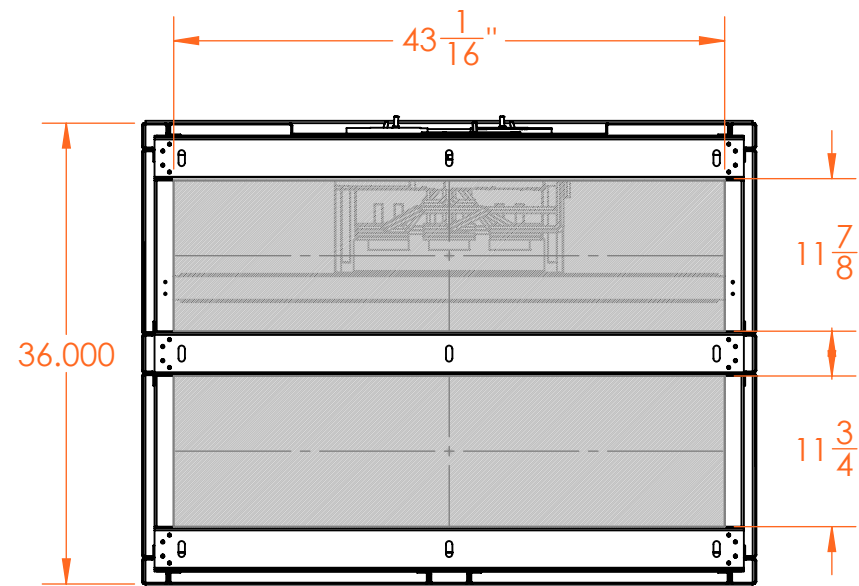
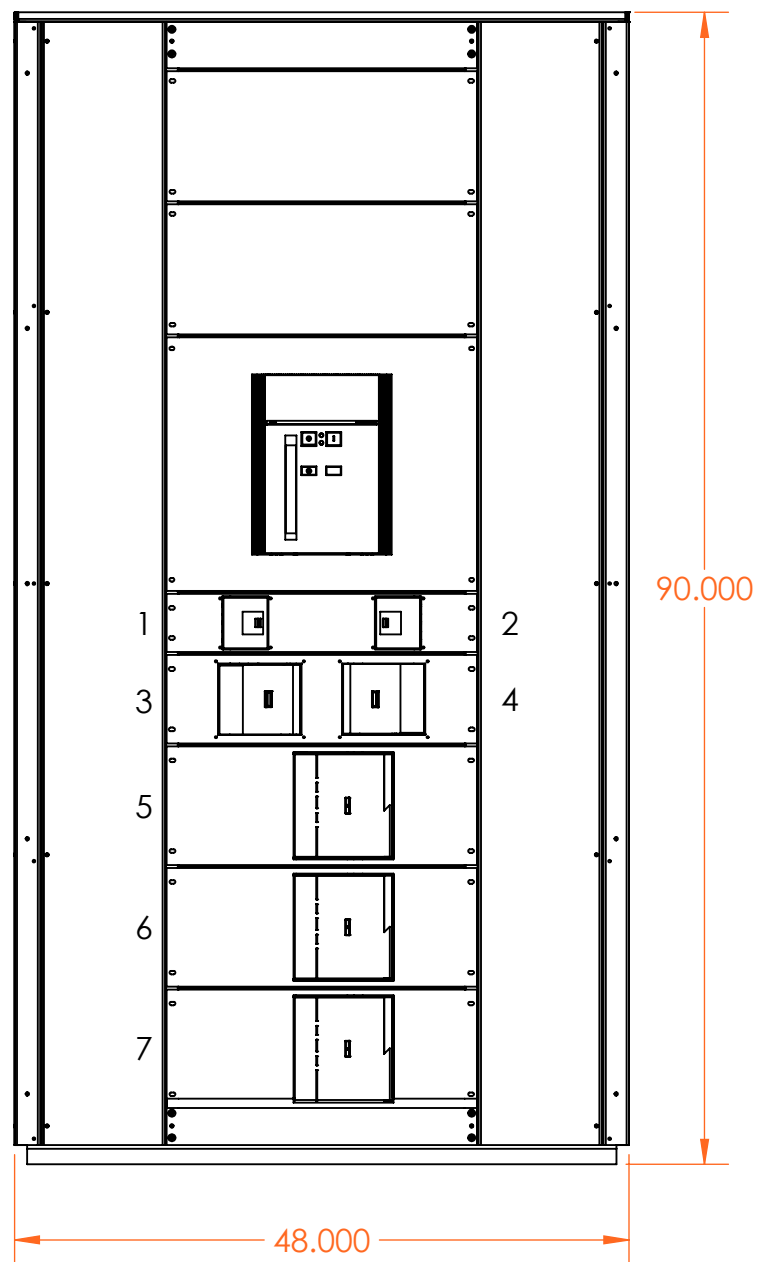
**ASSEMBLY:**  
 UL 891 LISTED Service Entrance Rated  
 Distribution Switchgear

**MAIN:**  
 T8V GROUND FAULT  
 3000A, 480Y/277, 3PH, 4W, 65kaic  
 6 HOLE 4/0 - 750MCM MECH LUG PER PHASE

**ENCLOSURE:**  
 90 TALL 48 WIDE 36 DEEP  
 NEMA Type 1 (Indoor), PAD MOUNTABLE

ALL BUS TIN PLATED  
 100% NEUTRAL  
 GROUND

RELT



CONDUIT ENTRY DETAIL

CIRCUIT	TRIP AMPS	Frame Size	LUGS/CABLE SIZE
1	60	XT1	(1) #10 - 2/0
2	SPACE	XT1	-
3	600	XT5	(1) 4/0 - 500
4	600	XT5	(1) 4/0 - 500
5	800	XT6	(2) 250 - 500
6	800	XT6	(2) 250 - 500
7	800	XT6	(2) 250 - 500



175-DFP40E6-1-3S-MDB1

ASSEMBLY:  
UL 891 LISTED Service Entrance Rated  
Distribution Switchgear

MAIN:  
ABB E6.2 4000A  
4000A, 480Y/277, 3PH, 4W, 65kaic  
12 HOLE 4/0 - 600MCM MECH LUG PER PHASE

ENCLOSURE:  
90 TALL 114 WIDE 60 DEEP  
NEMA Type 1 (Indoor), PAD MOUNTABLE

ALL BUS TIN PLATED  
100% NEUTRAL  
GROUND

RELT

FEEDER SECTION 2

FEEDER SECTION 1

MAIN 4000A



CIRCUIT	TRIP AMPS	Frame Size	LUGS/CABLE SIZE
1	800	XT6	(3) 2/0 - 400
2	1000	XT7	(4) - 4/0 - 500
3	4000	E6.2	(12) - 4/0 - 600

175-DFP40E6-1-3S-MDB1

ASSEMBLY:  
UL 891 LISTED Service Entrance Rated  
Distribution Switchgear

MAIN:  
ABB E6.2 4000A  
4000A, 480Y/277, 3PH, 4W, 65kaic  
12 HOLE 4/0 - 600MCM MECH LUG PER PHASE

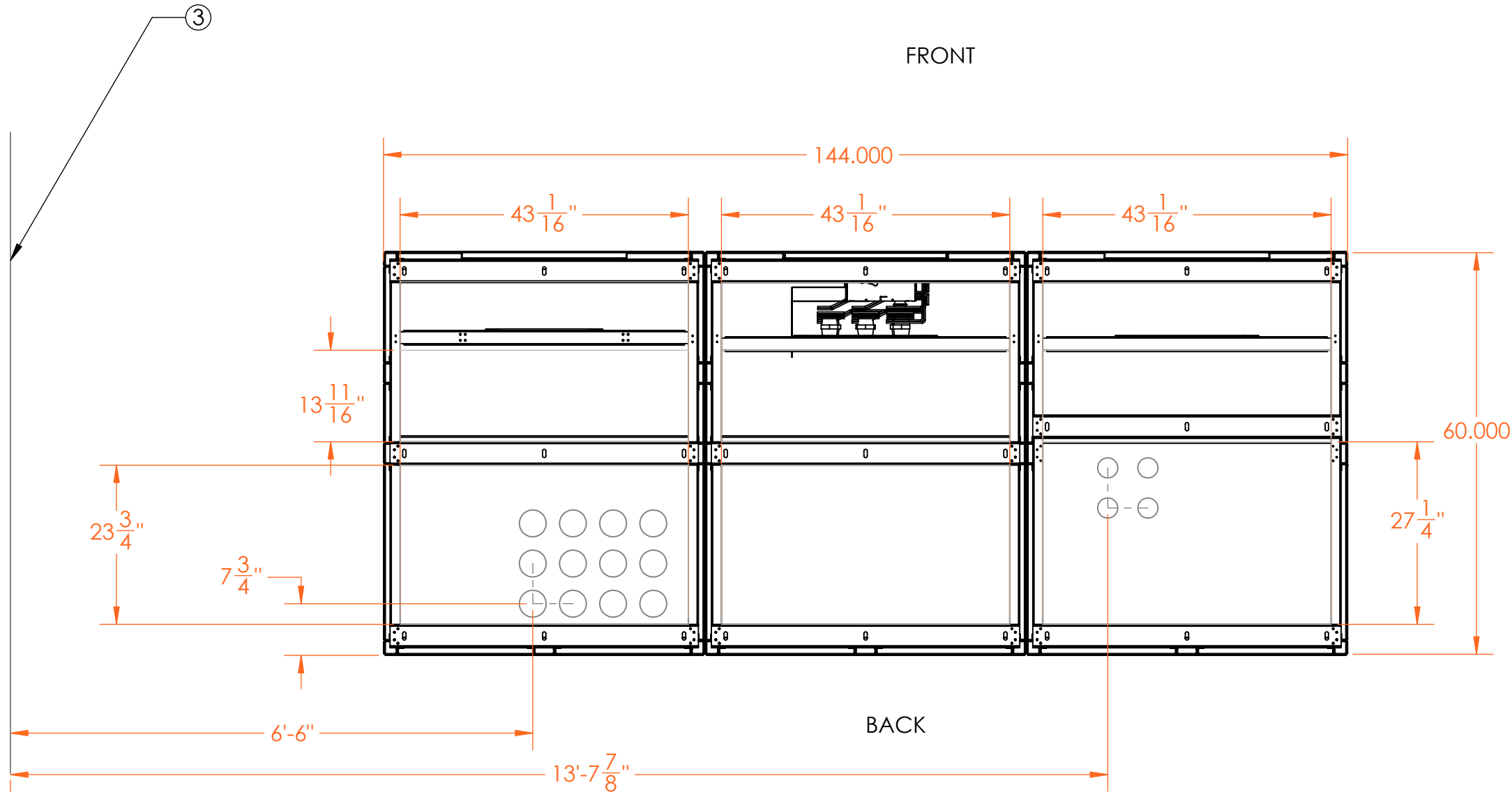
ENCLOSURE:  
90 TALL 114 WIDE 60 DEEP  
NEMA Type 1 (Indoor), PAD MOUNTABLE

ALL BUS TIN PLATED  
100% NEUTRAL  
GROUND

RELT

FRONT

BACK



CIRCUIT	TRIP AMPS	Frame Size	LUGS/CABLE SIZE
1	800	XT6	(3) 2/0 - 400
2	1000	XT7	(4) - 4/0 - 500
3	4000	E6.2	(12) - 4/0 - 600



175-DFP40E6-1-3S-MDB1

ASSEMBLY:  
UL 891 LISTED Service Entrance Rated  
Distribution Switchgear

MAIN:  
ABB E6.2 4000A  
4000A, 480Y/277, 3PH, 4W, 65kaic  
12 HOLE 4/0 - 600MCM MECH LUG PER PHASE

ENCLOSURE:  
90 TALL 114 WIDE 60 DEEP  
NEMA Type 1 (Indoor), PAD MOUNTABLE

ALL BUS TIN PLATED  
100% NEUTRAL  
GROUND

RELT

FEEDER SECTION 2

FEEDER SECTION 1

MAIN 4000A

CIRCUIT	TRIP AMPS	Frame Size	NOTES	LUGS/CABLE SIZE	NEUTRAL LUGS	GROUND LUGS
1	600	XT5	SOLAR CONNECTION	(2) 2/0 - 500	(2) 2/0 - 500	(1) #4 - 250
2	SPACE	XT5	SPACE	-	(4) - 4/0 - 500	(1) #4 - 250
3	800	XT6	FUTURE KITCHEN	(3) 2/0 - 400	(4) - 4/0 - 500	(1) #4 - 250
4	1000	XT7	HG1A	(4) - 4/0 - 500	(4) - 4/0 - 500	(1) #4 - 250
5	4000	E6.2	MAIN	(12) - 4/0 - 600	(12) - 4/0 - 600	(1) #4 - 250





CONDUIT ENTRY DETAIL

175-DFP40E6-1-3S-MDB1

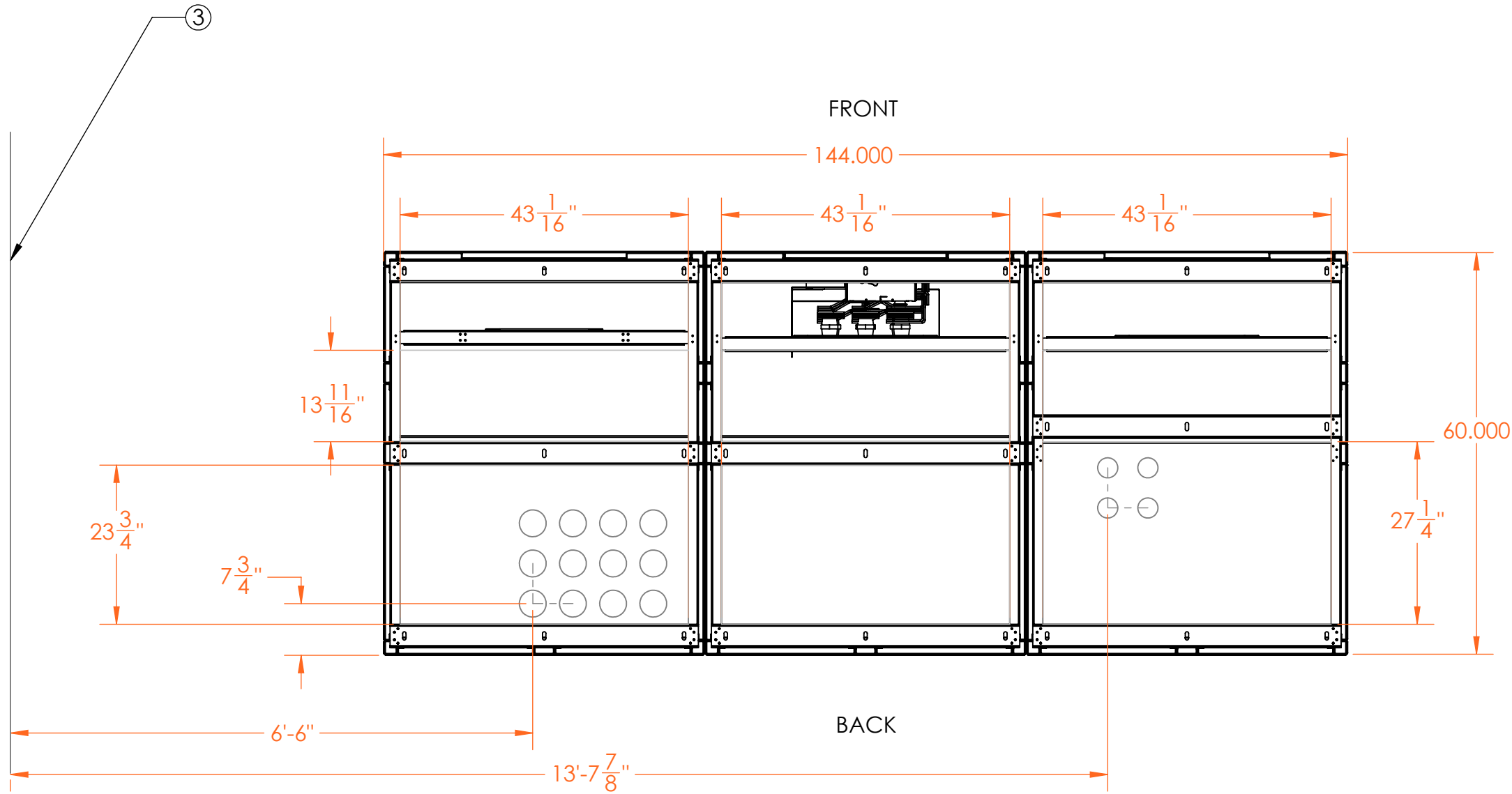
ASSEMBLY:  
UL 891 LISTED Service Entrance Rated  
Distribution Switchgear

MAIN:  
ABB E6.2 4000A  
4000A, 480Y/277, 3PH, 4W, 65kaic  
12 HOLE 4/0 - 600MCM MECH LUG PER PHASE

ENCLOSURE:  
90 TALL 114 WIDE 60 DEEP  
NEMA Type 1 (Indoor), PAD MOUNTABLE

ALL BUS TIN PLATED  
100% NEUTRAL  
GROUND

RELT



CIRCUIT	TRIP AMPS	Frame Size	NOTES	LUGS/CABLE SIZE	NEUTRAL LUGS	GROUND LUGS
1	600	XT5	SOLAR CONNECTION	(2) 2/0 - 500	(2) 2/0 - 500	(1) #4 - 250
2	SPACE	XT5	SPACE	-	(4) - 4/0 - 500	(1) #4 - 250
3	800	XT6	FUTURE KITCHEN	(3) 2/0 - 400	(4) - 4/0 - 500	(1) #4 - 250
4	1000	XT7	HG1A	(4) - 4/0 - 500	(4) - 4/0 - 500	(1) #4 - 250
5	4000	E6.2	MAIN	(12) - 4/0 - 600	(12) - 4/0 - 600	(1) #4 - 250



175-DFP40E6-1-3S-MDB1

ASSEMBLY:  
UL 891 LISTED Service Entrance Rated  
Distribution Switchgear

MAIN:  
ABB E6.2 4000A  
4000A, 480Y/277, 3PH, 4W, 65kaic  
12 HOLE 4/0 - 600MCM MECH LUG PER PHASE

ENCLOSURE:  
90 TALL 114 WIDE 60 DEEP  
NEMA Type 1 (Indoor), PAD MOUNTABLE

ALL BUS TIN PLATED  
100% NEUTRAL  
GROUND

RELT

FEEDER SECTION 2

FEEDER SECTION 1

MAIN 4000A

CIRCUIT	TRIP AMPS	Frame Size	LUGS/CABLE SIZE
1	600	XT6	(2) 250 - 500
2	1000	XT7	(4) - 4/0 - 500
3	4000	E6.2	(12) - 4/0 - 600

175-DFP40E6-1-3S-MDB1

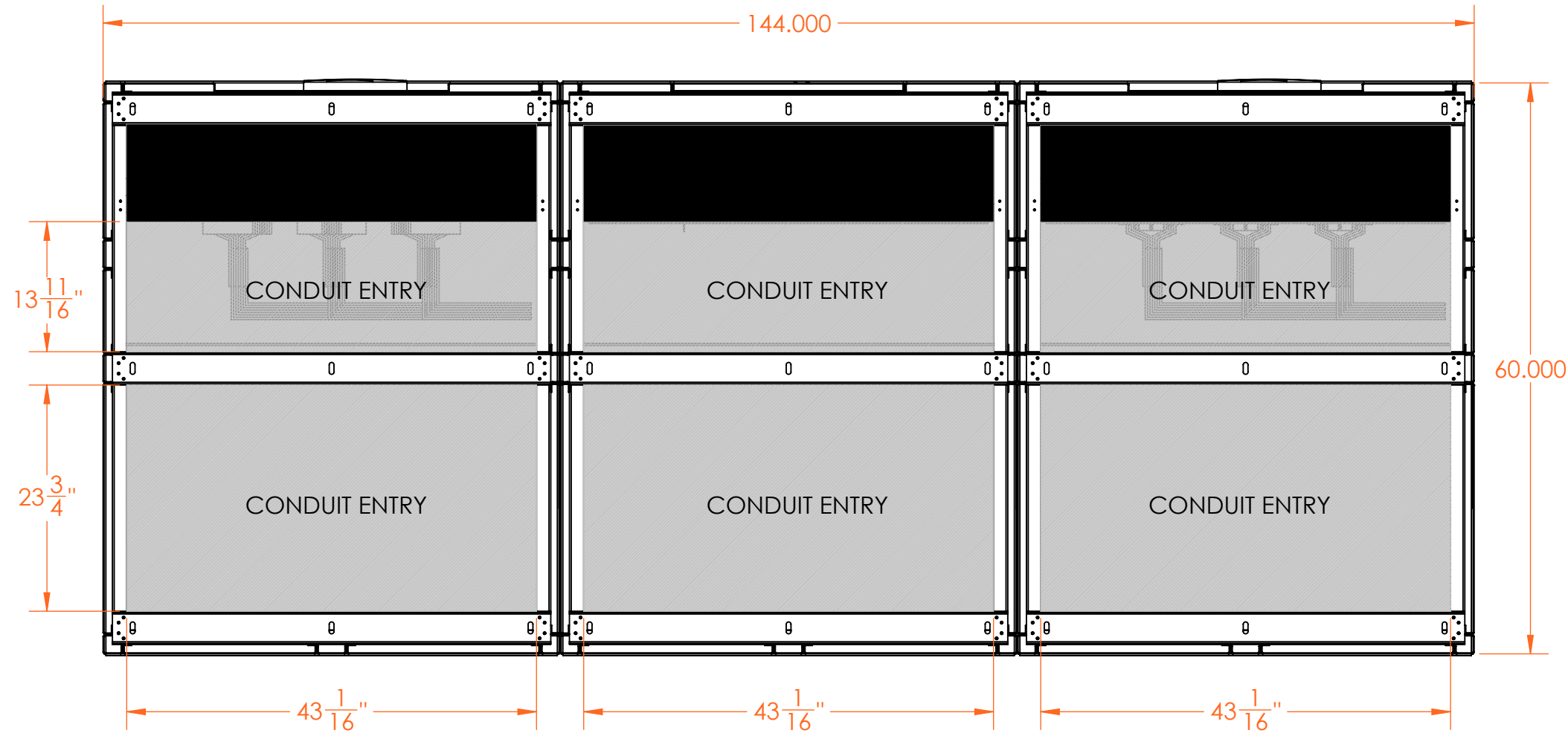
ASSEMBLY:  
UL 891 LISTED Service Entrance Rated  
Distribution Switchgear

MAIN:  
ABB E6.2 4000A  
4000A, 480Y/277, 3PH, 4W, 65kaic  
12 HOLE 4/0 - 600MCM MECH LUG PER PHASE

ENCLOSURE:  
90 TALL 114 WIDE 60 DEEP  
NEMA Type 1 (Indoor), PAD MOUNTABLE

ALL BUS TIN PLATED  
100% NEUTRAL  
GROUND

RELT



CIRCUIT	TRIP AMPS	DESCRIPTION	LUGS/CABLE SIZE
1	1200	XT7SU312EEFF000XXX	(4) - 4/0 - 500
2	600	XT5SU640ABFF000XXX	(2) 2/0 - 500
3	600	XT5SU640ABFF000XXX	(2) 2/0 - 500
4	400	XT5SU640ABFF000XXX	(2) 2/0 - 500
5	-	XT5 SPACE	-
6	200	XT3	(1) #4 - 300
7	200	XT3	(1) #4 - 300
8	200	XT3	(1) #4 - 300
9	200	XT3 SPACE	-
10	100	XT1SU3100AFF000XXX	(1) #10 - 2/0
11	-	XT1 SPACE	-

000176-DFP40E6-1-4S-MDB2-NATIONWIDE

**ASSEMBLY:**  
 UL 891 LISTED Service Entrance Rated  
 Distribution Switchgear

**MAIN:**  
 E6.2V-A 4000 EKIP TOUCH LSI  
 4000A, 480Y/277, 3PH, 4W, 65kaic  
 12 HOLE 4/0 - 600MCM MECH LUG PER PHASE

**ENCLOSURE:**  
 90 TALL 48 WIDE 60 DEEP  
 NEMA Type 1 (Indoor), PAD MOUNTABLE

ALL BUS TIN PLATED  
 100% NEUTRAL  
 GROUND

RELT



CIRCUIT	TRIP AMPS	Frame Size	NOTES	LUGS/CABLE SIZE	NEUTRAL LUGS	GROUND LUGS
1	4000	E6.2		(12) - 4/0 - 600	(12) - 4/0 - 600	(4) - 4/0 - 600
2	200	XT4	H1-1	(1) #4 - 300	(4) - 4/0 - 500	(1) #4 - 250
3	SPACE	XT4	SPACE	-	(4) - 4/0 - 500	(1) #4 - 250
4	250	XT5	HG1A-LS	(2) 2/0 - 500	(2) 2/0 - 500	(1) #4 - 250
5	400	XT5	HG7A-LS	(2) 2/0 - 500	(2) 2/0 - 500	(1) #4 - 250
6	250	XT5	H1-LS	(2) 2/0 - 500	(2) 2/0 - 500	(1) #4 - 250
7	600	XT5	HM1-1	(2) 2/0 - 500	(2) 2/0 - 500	(1) #4 - 250
8	600	XT5	SOLAR CONNECTION	(2) 2/0 - 500	(2) 2/0 - 500	(1) #4 - 250
9	SPACE	XT5	SPACE	-		
10	1200	XT7	H1-LR	(4) - 4/0 - 500	(4) - 4/0 - 500	(1) #4 - 250



000176-DFP40E6-1-4S-MDB2-NATIONWIDE

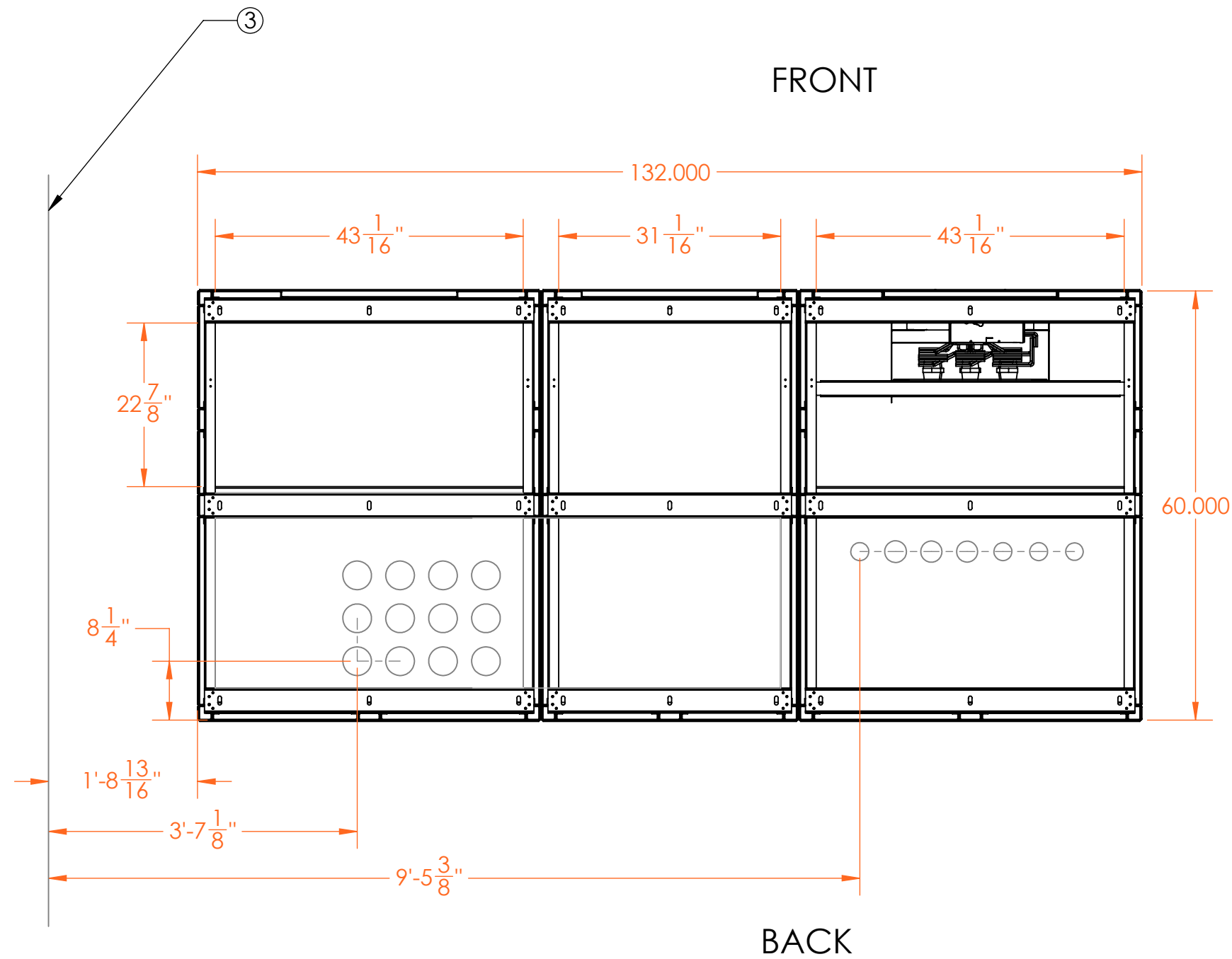
**ASSEMBLY:**  
UL 891 LISTED Service Entrance Rated  
Distribution Switchgear

**MAIN:**  
E6.2V-A 4000 EKIP TOUCH LSIG  
4000A, 480Y/277, 3PH, 4W, 65kaic  
12 HOLE 4/0 - 600MCM MECH LUG PER PHASE

**ENCLOSURE:**  
90 TALL 48 WIDE 60 DEEP  
NEMA Type 1 (Indoor), PAD MOUNTABLE

ALL BUS TIN PLATED  
100% NEUTRAL  
GROUND

RELT



000176-DFP40E6-1-4S-MDB2-NATIONWIDE

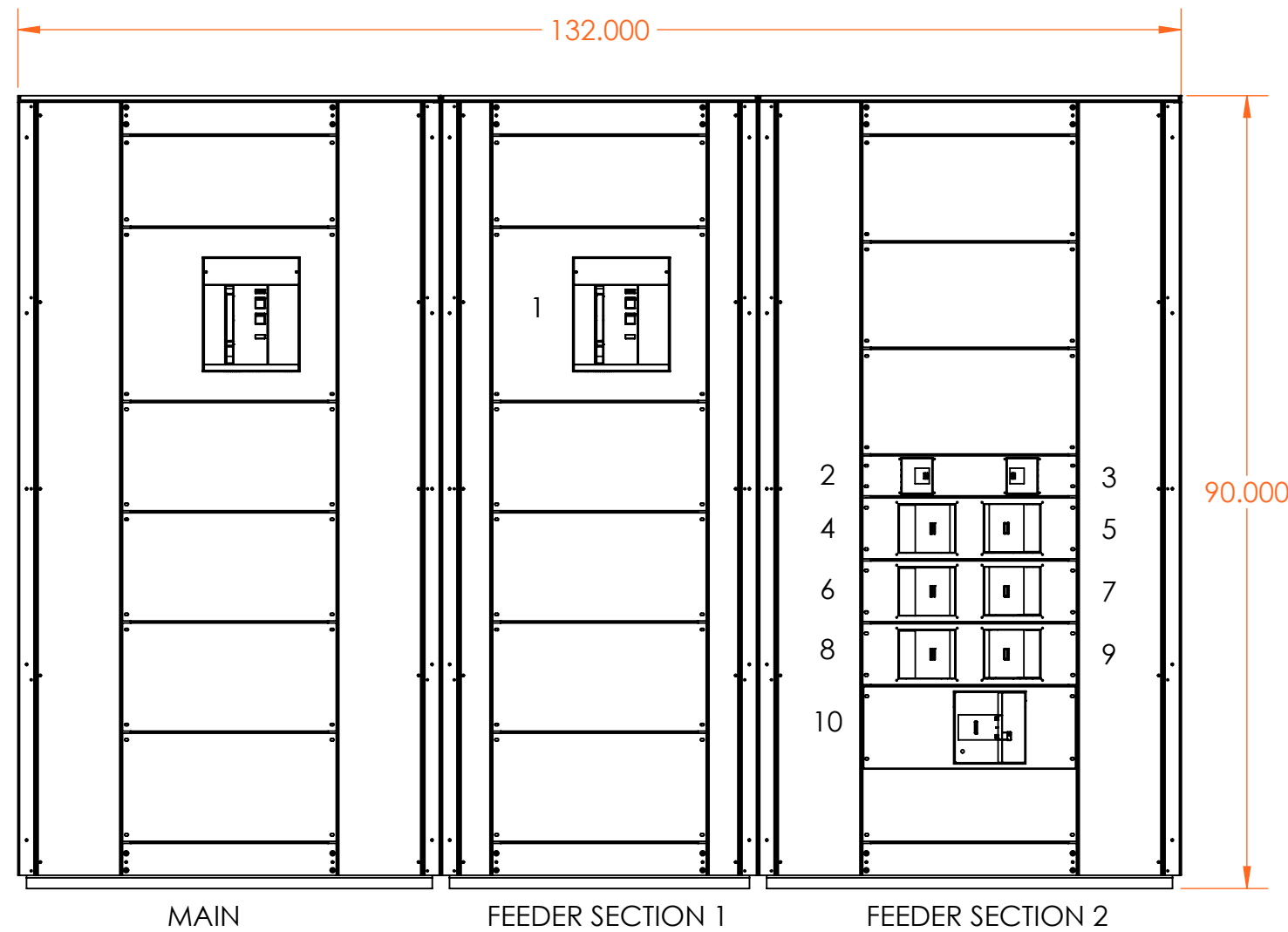
**ASSEMBLY:**  
 UL 891 LISTED Service Entrance Rated  
 Distribution Switchgear

**MAIN:**  
 E6.2V-A 4000 EKIP TOUCH LSI  
 4000A, 480Y/277, 3PH, 4W, 65kaic  
 12 HOLE 4/0 - 600MCM MECH LUG PER PHASE

**ENCLOSURE:**  
 90 TALL 48 WIDE 60 DEEP  
 NEMA Type 1 (Indoor), PAD MOUNTABLE

ALL BUS TIN PLATED  
 100% NEUTRAL  
 GROUND

RELT



CIRCUIT	TRIP AMPS	Frame Size	NOTES	LUGS/CABLE SIZE	NEUTRAL LUGS	GROUND LUGS
1	4000	E6.2		(12) - 4/0 - 600	(12) - 4/0 - 600	(4) - 4/0 - 600
2	200	XT4	H1-1	(1) #4 - 300	(4) - 4/0 - 500	(1) #4 - 250
3	SPACE	XT4	SPACE	-	(4) - 4/0 - 500	(1) #4 - 250
4	250	XT5	HG1A-LS	(2) 2/0 - 500	(2) 2/0 - 500	(1) #4 - 250
5	400	XT5	HG7A-LS	(2) 2/0 - 500	(2) 2/0 - 500	(1) #4 - 250
6	250	XT5	H1-LS	(2) 2/0 - 500	(2) 2/0 - 500	(1) #4 - 250
7	600	XT5	HM1-1	(2) 2/0 - 500	(2) 2/0 - 500	(1) #4 - 250
8	600	XT5	SOLAR CONNECTION	(2) 2/0 - 500	(2) 2/0 - 500	(1) #4 - 250
9	SPACE	XT5	SPACE	-		
10	1200	XT7	H1-LR	(4) - 4/0 - 500	(4) - 4/0 - 500	(1) #4 - 250

000176-DFP40E6-1-4S-MDB2-NATIONWIDE

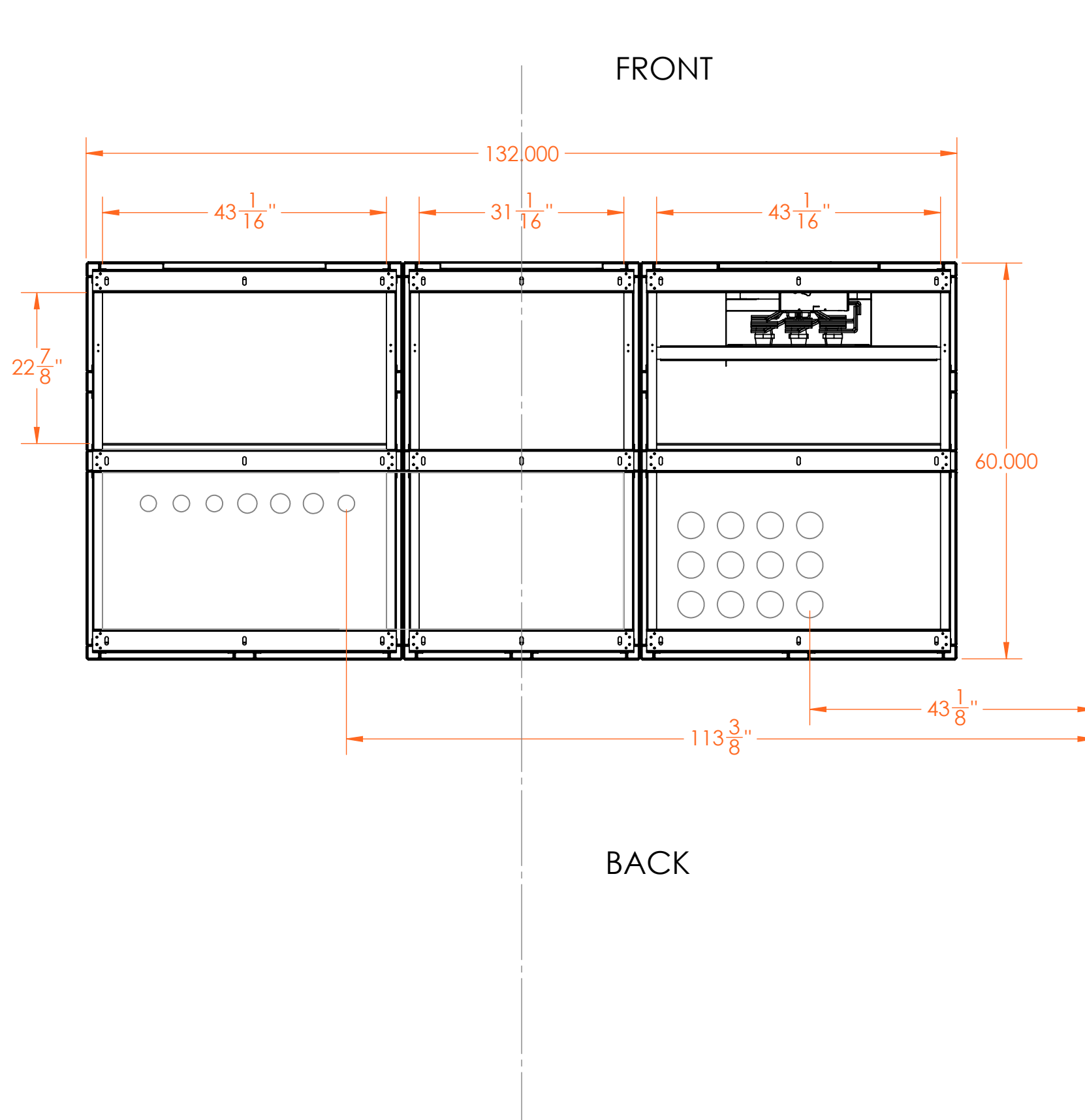
ASSEMBLY:  
UL 891 LISTED Service Entrance Rated  
Distribution Switchgear

MAIN:  
E6.2V-A 4000 EKIP TOUCH LSIG  
4000A, 480Y/277, 3PH, 4W, 65kaic  
12 HOLE 4/0 - 600MCM MECH LUG PER PHASE

ENCLOSURE:  
90 TALL 48 WIDE 60 DEEP  
NEMA Type 1 (Indoor), PAD MOUNTABLE

ALL BUS TIN PLATED  
100% NEUTRAL  
GROUND

RELT



000176-DFP40E6-1-4S-MDB2-NATIONWIDE

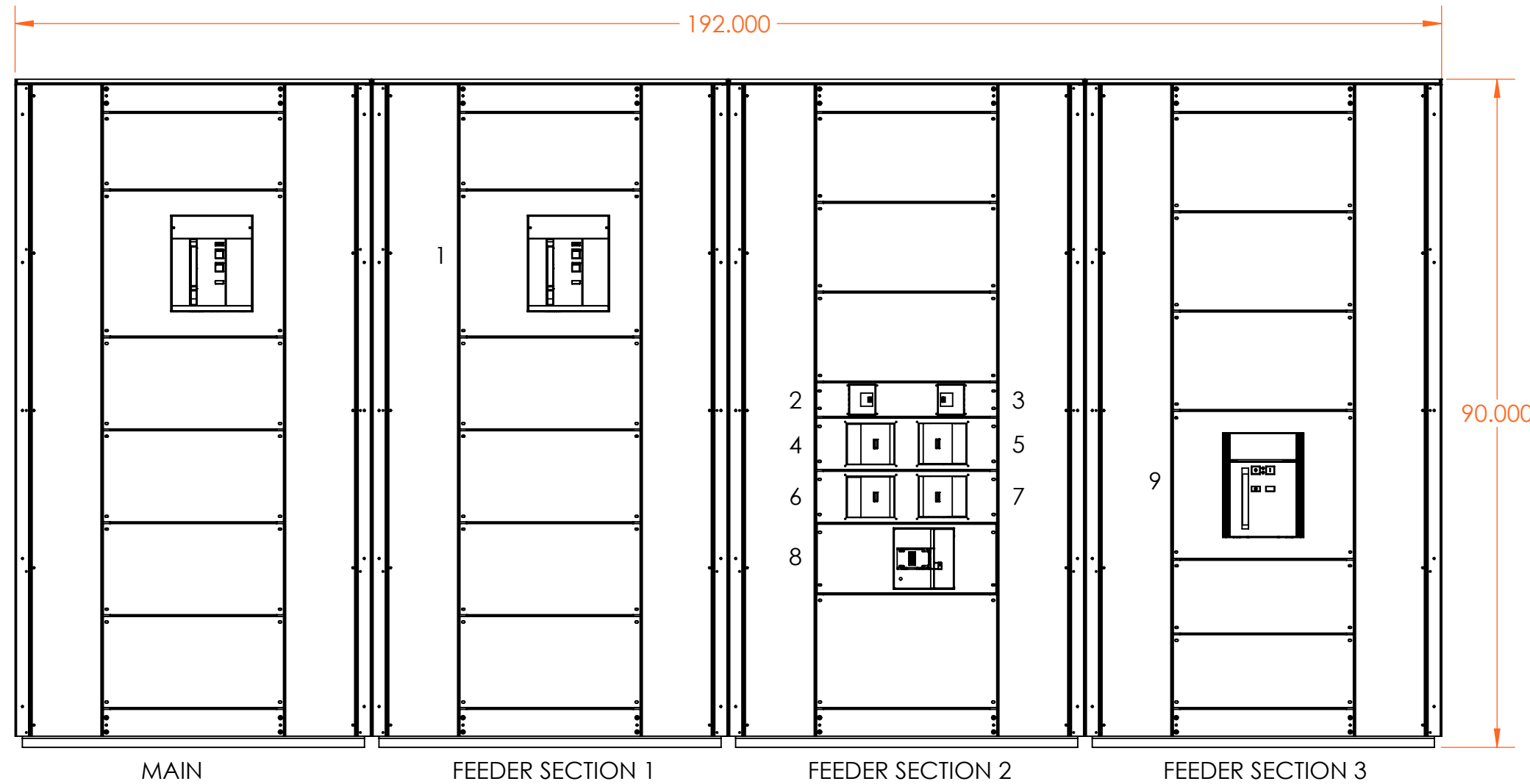
**ASSEMBLY:**  
 UL 891 LISTED Service Entrance Rated  
 Distribution Switchgear

**MAIN:**  
 E6.2V-A 4000 EKIP TOUCH LSI  
 4000A, 480Y/277, 3PH, 4W, 65kaic  
 12 HOLE 4/0 - 600MCM MECH LUG PER PHASE

**ENCLOSURE:**  
 90 TALL 48 WIDE 60 DEEP  
 NEMA Type 1 (Indoor), PAD MOUNTABLE

ALL BUS TIN PLATED  
 100% NEUTRAL  
 GROUND

RELT



CIRCUIT	TRIP AMPS	Frame Size	LUGS/CABLE SIZE
1	4000	E6.2	(12) - 4/0 - 600
2	200	XT4	(1) #14 - 1/0
3	SPACE	XT4	-
4	400	XT5	(1) 4/0 - 500
5	400	XT5	(1) 4/0 - 500
6	400	XT5	(1) 4/0 - 500
7	600	XT5	(1) 4/0 - 500
8	1200	XT7	(4) - 4/0 - 500
9	1600	T8_	(6) - 4/0 - 750



000176-DFP40E6-1-4S-MDB2-NATIONWIDE

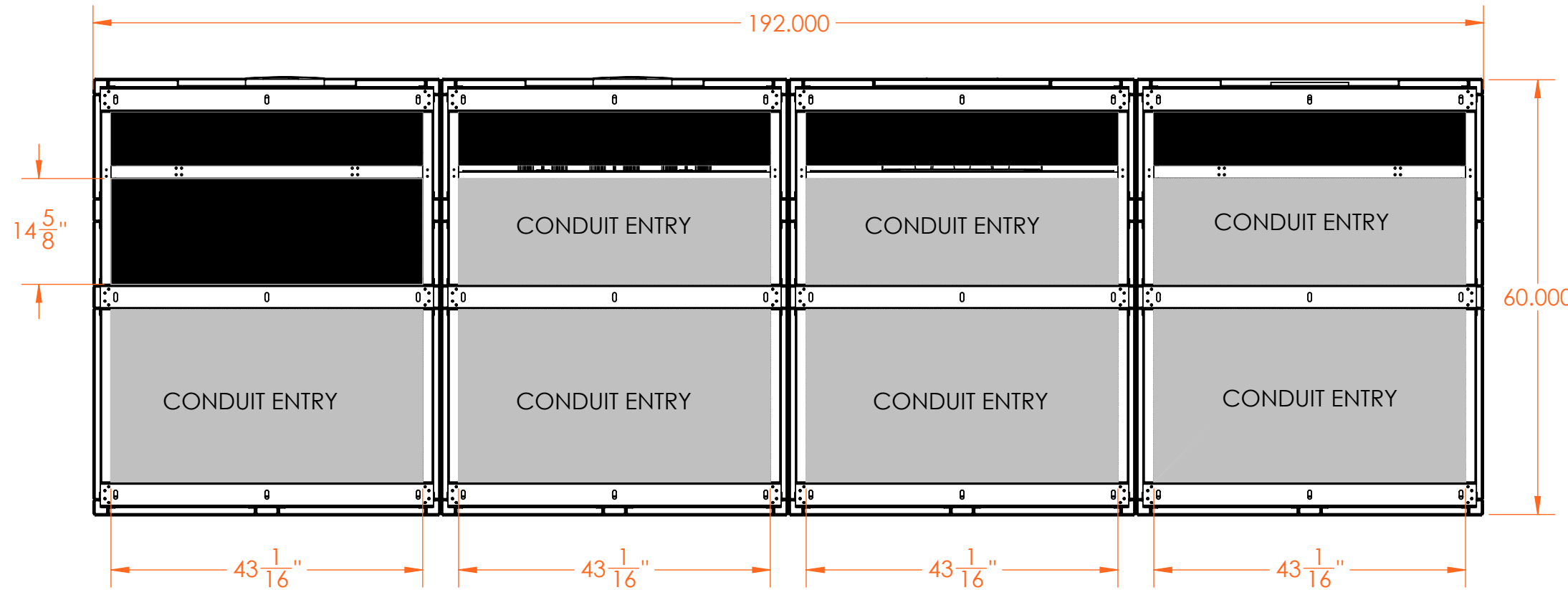
**ASSEMBLY:**  
 UL 891 LISTED Service Entrance Rated  
 Distribution Switchgear

**MAIN:**  
 E6.2V-A 4000 EKIP TOUCH LSI  
 4000A, 480Y/277, 3PH, 4W, 65kaic  
 12 HOLE 4/0 - 600MCM MECH LUG PER PHASE

**ENCLOSURE:**  
 90 TALL 48 WIDE 60 DEEP  
 NEMA Type 1 (Indoor), PAD MOUNTABLE

ALL BUS TIN PLATED  
 100% NEUTRAL  
 GROUND

RELT



CIRCUIT	TRIP AMPS	Frame Size	LUGS/CABLE SIZE
1	4000	E6.2	(12) - 4/0 - 600
2	200	XT4	(1) #14 - 1/0
3	SPACE	XT4	-
4	400	XT5	(1) 4/0 - 500
5	400	XT5	(1) 4/0 - 500
6	400	XT5	(1) 4/0 - 500
7	600	XT5	(1) 4/0 - 500
8	1200	XT7	(4) - 4/0 - 500
9	1600	T8_	(6) - 4/0 - 750



000179-DFP25T8-1

**ASSEMBLY:**  
UL 891 LISTED Service Entrance Rated  
Distribution Switchgear

**MAIN:**  
T8V - T8VBE3HC000000XX  
2500A, 120/208, 3PH, 4W, 50kaic  
6 HOLE 4/0 - 750MCM MECH LUG PER PHASE

**ENCLOSURE:**  
90 TALL 144 WIDE 36 DEEP  
NEMA Type 1 (Indoor), PAD MOUNTABLE

ALL BUS TIN PLATED  
100% NEUTRAL  
GROUND

RELT  
SPD - OVRHTP1001203Y4U4

CIRCUIT	TRIP AMPS	Frame Size	Description	LUGS/CABLE SIZE
1	40	XT1		(1) #10 - 2/0
2	60	XT1		(1) #10 - 2/0
3	60	XT1		(1) #10 - 2/0
4	70	XT1		(1) #10 - 2/0
5	125	XT1		(1) #10 - 2/0
6	125	XT1		(1) #10 - 2/0
7	125	XT1		(1) #10 - 2/0
8	SPACE	XT1	125A SPACE	-
9	200	XT4		(1) #14 - 1/0
10	200	XT4		(1) #14 - 1/0
11	200	XT4		(1) #14 - 1/0
12	200	XT4		(1) #14 - 1/0
13	225	XT4		(1) #14 - 1/0
14	SPACE	XT4	250A SPACE	-
15	SPACE	XT4	250A SPACE	-
16	SPACE	XT4	250A SPACE	-
17	400	XT5		(1) 4/0 - 500
18	SPACE	XT5		-
19	100	XT1		(1) #10 - 2/0
20	100	XT1		(1) #10 - 2/0
21	100	XT1		(1) #10 - 2/0
22	SPACE	XT1	125A SPACE	-
23	SPACE	XT1	125A SPACE	-
24	SPACE	XT1	125A SPACE	-
25	SPACE	XT1	125A SPACE	-
26	SPACE	XT1	125A SPACE	-
27	225	XT4		(1) #14 - 1/0
28	225	XT4		(1) #14 - 1/0
29	225	XT4		(1) #14 - 1/0
30	SPACE	XT4	250A SPACE	-
31	SPACE	XT4	250A SPACE	-
32	SPACE	XT4	250A SPACE	-
33	SPACE	XT4	250A SPACE	-
34	SPACE	XT4	250A SPACE	-
35	400	XT5		(1) 4/0 - 500
36	600	XT5		(1) 4/0 - 500



000179-DFP25T8-1

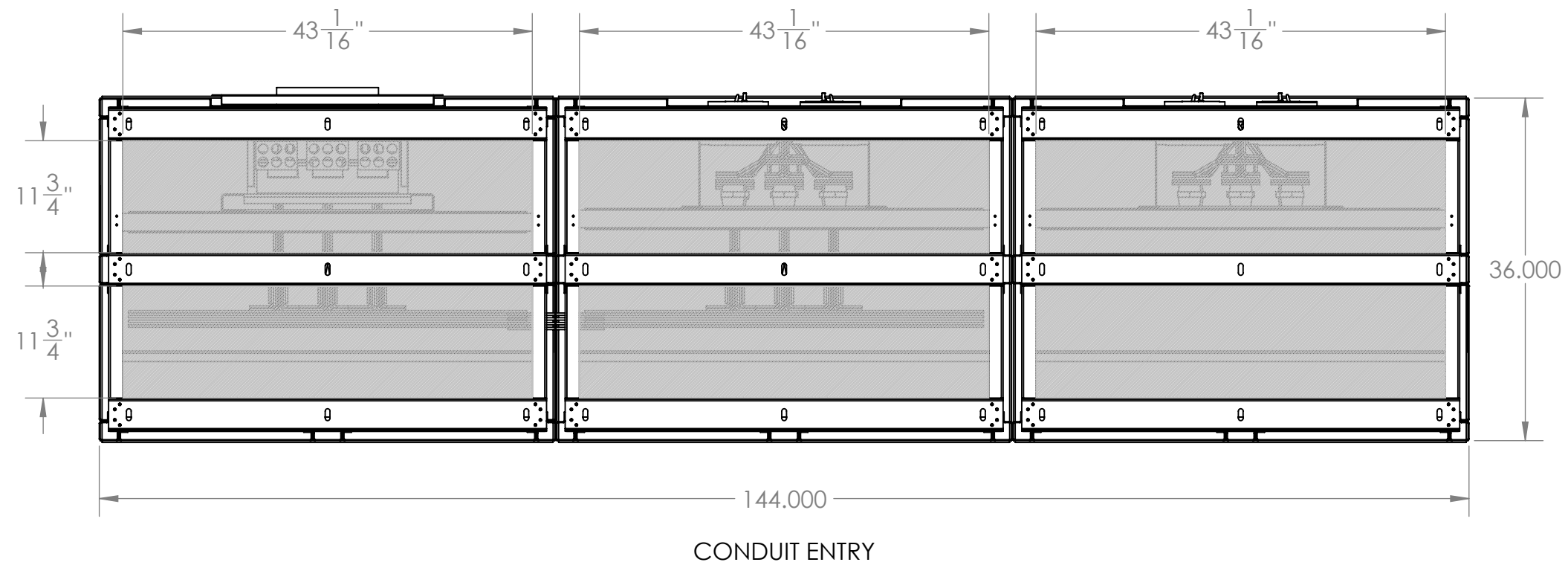
ASSEMBLY:  
UL 891 LISTED Service Entrance Rated  
Distribution Switchgear

MAIN:  
T8V - T8VBE3HC000000XX  
2500A, 120/208, 3PH, 4W, 50kaic  
6 HOLE 4/0 - 750MCM MECH LUG PER PHASE

ENCLOSURE:  
90 TALL 144 WIDE 36 DEEP  
NEMA Type 1 (Indoor), PAD MOUNTABLE

ALL BUS TIN PLATED  
100% NEUTRAL  
GROUND

RELT



183-DFP12XT7-1-1S

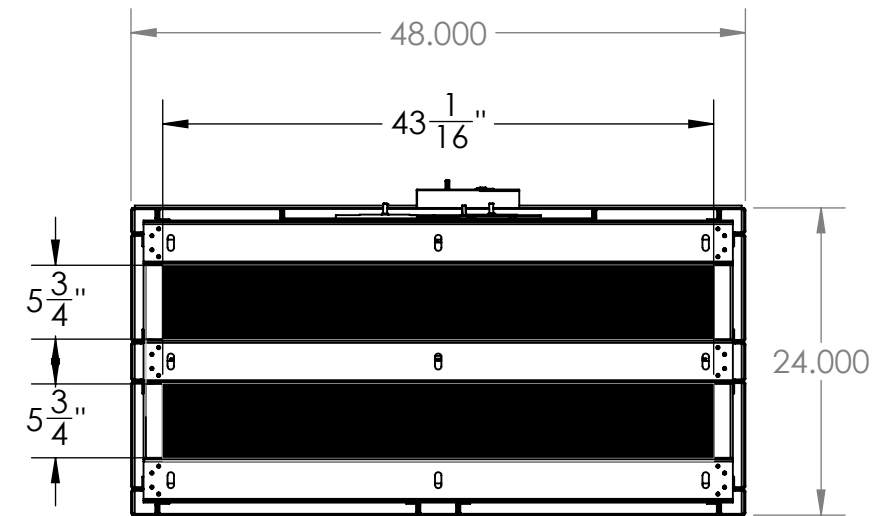
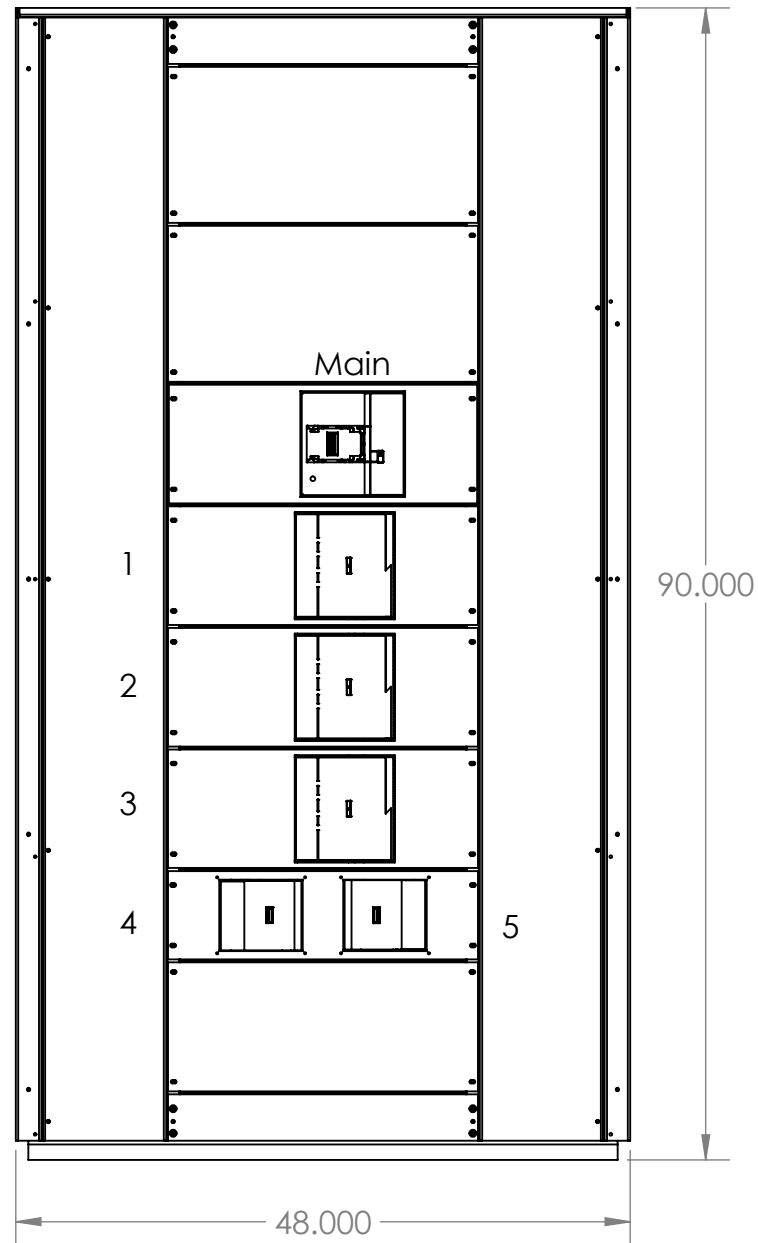
**ASSEMBLY:**  
 UL 891 LISTED Service Entrance Rated  
 Distribution Switchgear

**MAIN:**  
 XT7  
 1200A, 480Y/277, 3PH, 4W, 65kaic  
 4 HOLE 4/0 - 500MCM MECH LUG PER PHASE

**ENCLOSURE:**  
 90 TALL 48 WIDE 36 DEEP  
 NEMA Type 1 (Indoor), PAD MOUNTABLE

ALL BUS TIN PLATED  
 100% NEUTRAL  
 GROUND

RELT



CIRCUIT	TRIP AMPS	DESCRIPTION	LUGS/CABLE SIZE
1	800	XT6	(2) 250 - 500
2	800	XT6	(2) 250 - 500
3	SPACE	XT6	-
4	400	XT5	(1) 4/0 - 500
5	SPACE	XT5	-

185-DFP80XT6-1-1S

**ASSEMBLY:**

UL 891 LISTED Service Entrance Rated  
Distribution Switchgear

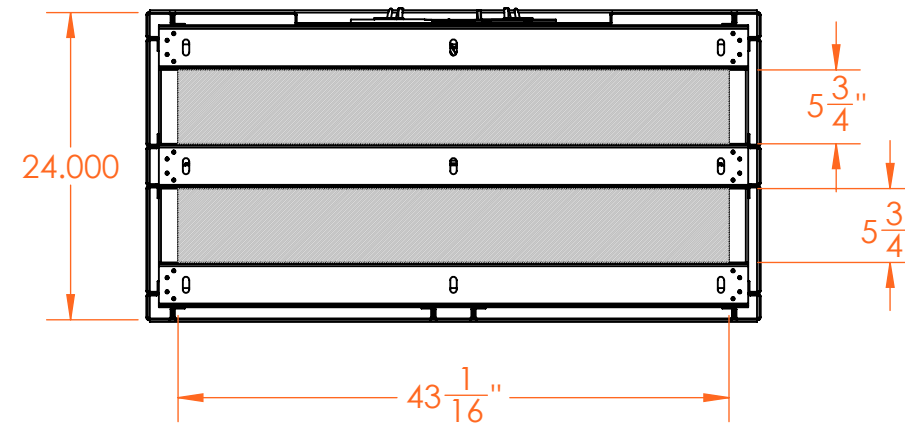
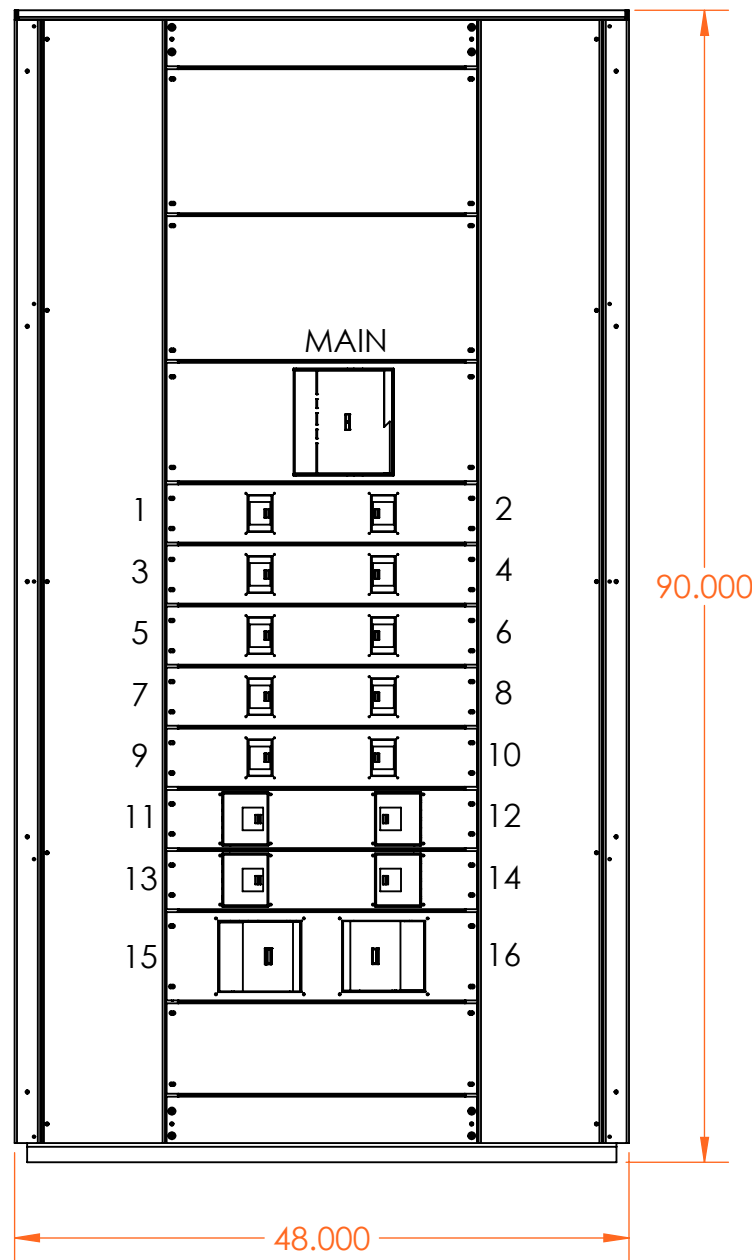
**MAIN:**

3P 800A 65KAIC 80% RATED LS/I TRIP UNIT [MAIN  
BREAKER] - XT6HU3800EFF000XXX  
800A, 480Y/277, 3PH, 4W, 65kaic  
2 HOLE 250 - 500 MECH LUG PER PHASE

**ENCLOSURE:**

90 TALL 48 WIDE 24 DEEP  
NEMA Type 1 (Indoor), PAD MOUNTABLE

ALL BUS TIN PLATED  
100% NEUTRAL  
GROUND



CIRCUIT	TRIP AMPS	Frame Size	NOTES	DESCRIPTION	LUGS/CABLE SIZE
1	15	XT1	R.O. REPRESSURIZER	XT1HU3015AFF000XXX	(1) #10 - 2/0
2	15	XT1	R.O. FILTRATION SYSTEM 1-D	XT1HU3015AFF000XXX	(1) #10 - 2/0
3	15	XT1	RECLAIM PUM STATION 1-A	XT1HU3015AFF000XXX	(1) #10 - 2/0
4	25	XT1	AIR COMPRESSOR 10-A	XT1HU3025AAA000XXX	(1) #10 - 2/0
5	25	XT1	AIR COMPRESSOR 10-A	XT1HU3025AAA000XXX	(1) #10 - 2/0
6	30	XT1	SURGE PROT DEVICE	XT1HU3030AAA000XXX	(1) #10 - 2/0
7	125	XT1	PANEL A	XT1HU3125AAA000XXX	(1) #10 - 2/0
8	SPACE	XT1	125A SPACE		-
9	SPACE	XT1	125A SPACE		-
10	SPACE	XT1	125A SPACE		-
11	SPACE	XT4	250A SPACE		-
12	150	XT4	SPARE BREAKER	XT4HU3150AFF000XXX	(1) #14 - 1/0
13	200	XT4	SPARE BREAKER	XT4HU3200AFF000XXX	(1) #14 - 1/0
14	SPACE	XT4	250A SPACE		-
15	600	XT5	MOTOR CONTROL CENTER	XT5HU360BEFF000XXX	(1) 4/0 - 500
16	SPACE	XT5	600A SPACE		-

187-DFP30T8-1-2S

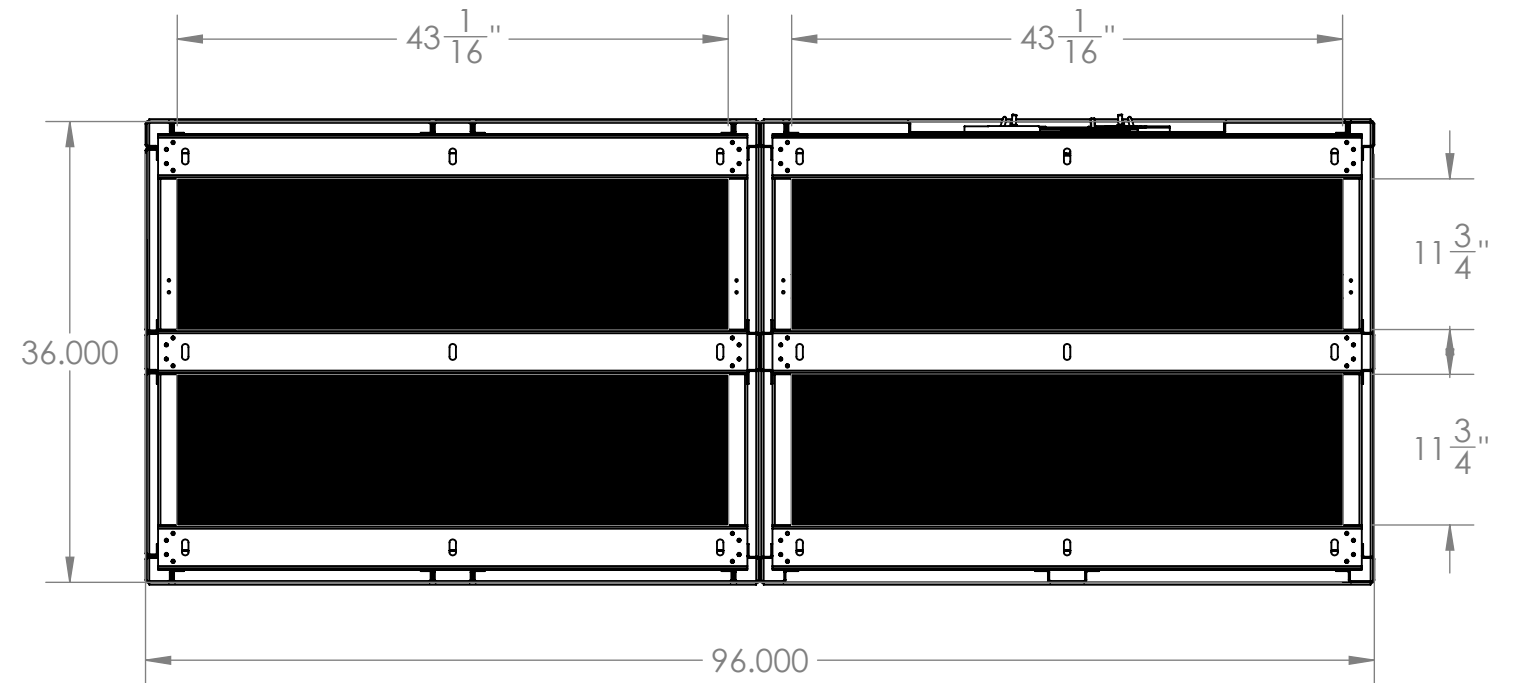
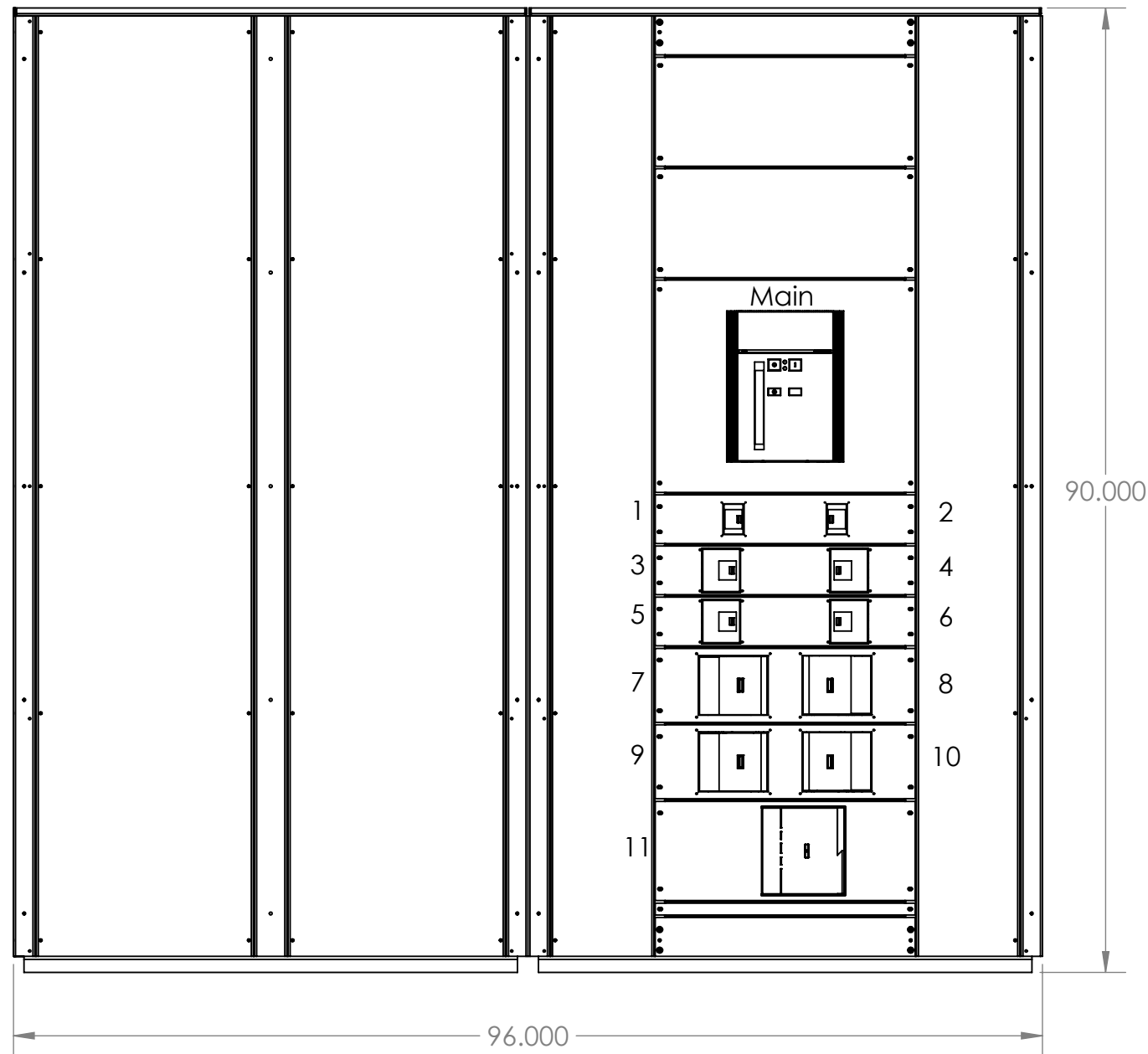
**ASSEMBLY:**  
 UL 891 LISTED Service Entrance Rated  
 Distribution Switchgear

**MAIN:**  
 T8VBF3JE00A000XC T8V 3000 UL PR331 P-LSIG In=3000  
 3PF F  
 3000A, 480Y/277, 3PH, 4W, 65kaic  
 6 HOLE 4/0 - 750MCM MECH LUG PER PHASE

**ENCLOSURE:**  
 90 TALL 96 WIDE 36 DEEP  
 NEMA Type 1 (Indoor), PAD MOUNTABLE

ALL BUS TIN PLATED  
 100% NEUTRAL  
 GROUND

RELT



CIRCUIT	TRIP AMPS	DESCRIPTION	LUGS/CABLE SIZE
1	100	XT1HU3100AFF000XXX	(1) #10 - 2/0
2	Space	XT1	
3	200	XT4HU3200AFF000XXX	(1) #14 - 1/0
4	200	XT4HU3200AFF000XXX	(1) #14 - 1/0
5	SPACE	XT4	
6	SPACE	XT4	
7	400	XT5HU340ABFF000XXX	(1) 4/0 - 500
8	SPACE	XT5	
9	SPACE	XT5	
10	SPACE	XT5	
11	SPACE	XT6	

DFP12XT7

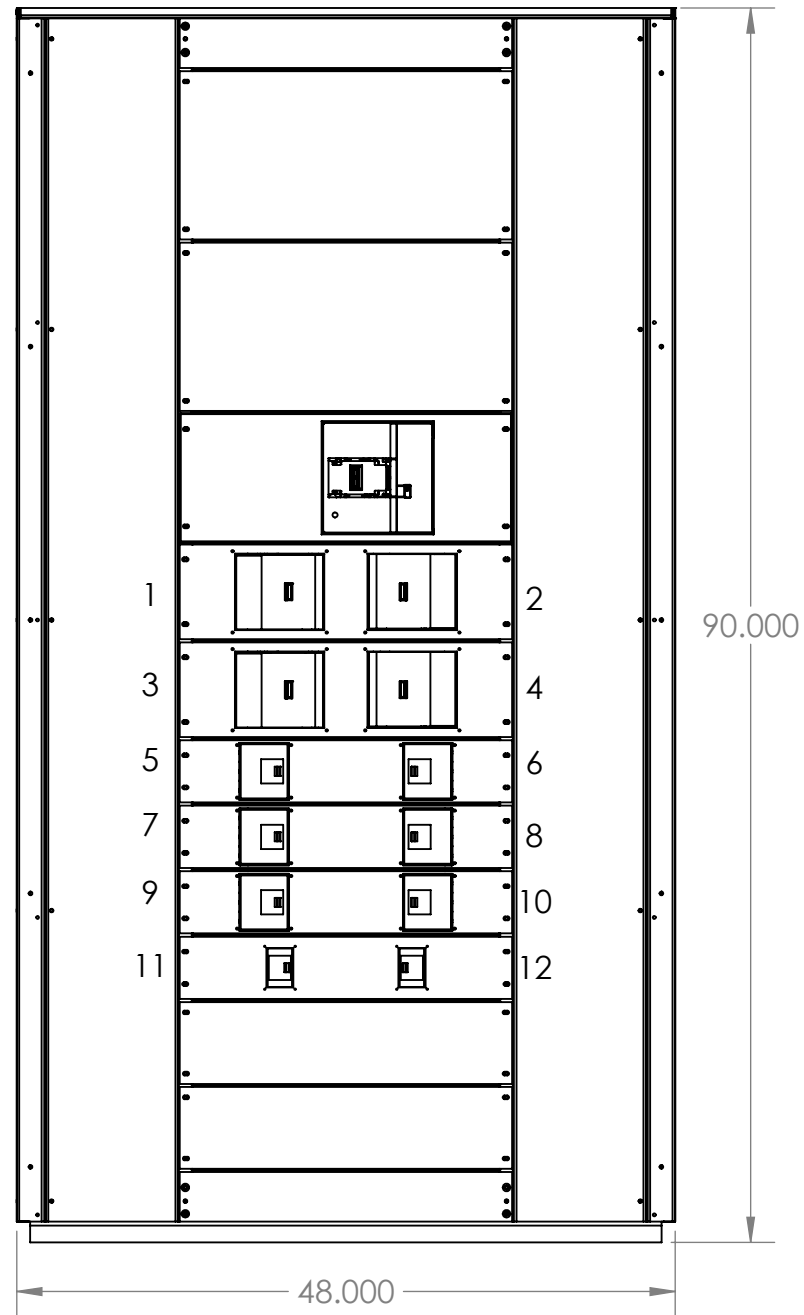
ASSEMBLY:  
UL 891 LISTED Service Entrance Rated  
Distribution Switchgear

MAIN:  
XT7HQ312EQFF940XXX  
1200A, 480Y/277, 3PH, 4W, 65kaic  
4 HOLE 4/0 - 500MCM MECH LUG PER PHASE

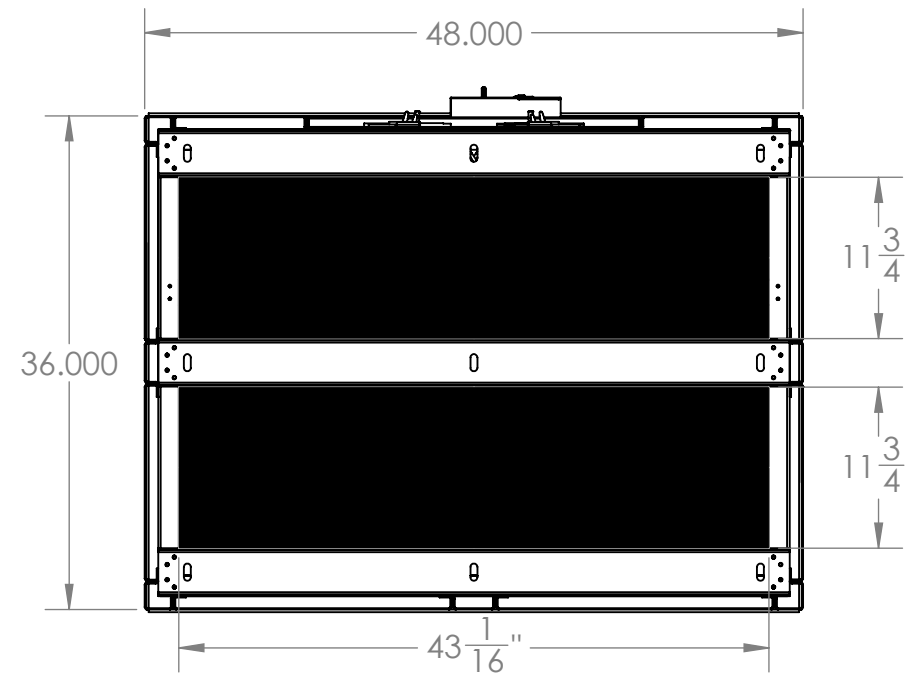
ENCLOSURE:  
90 TALL 48 WIDE 36 DEEP  
NEMA Type 1 (Indoor), PAD MOUNTABLE

ALL BUS TIN PLATED  
100% NEUTRAL  
GROUND

RELT



FRONT VIEW



BOTTOM VIEW  
CONDUIT ENTRY

CIRCUIT	TRIP AMPS	Frame Size	Notes	Description	LUGS/CABLE SIZE
1	500	XT5	CHILLER 1	XT5HU360BEFF000XXX	(1) 4/0 - 500
2	500	XT5	CHILLER 2	XT5HU360BEFF000XXX	(1) 4/0 - 500
3	500	XT5	CHILLER 3	XT5HU360BEFF000XXX	(1) 4/0 - 500
4	SPACE	XT5	SPACE		-
5	225	XT4	SOUTHCOURT BUILDING	XT4HU3225AFF000XXX	(1) #14 - 1/0
6	150	XT4	PANELBOARD H1	XT4HU3150AFF000XXX	(1) #14 - 1/0
7	SPACE	XT4	SPACE		-
8	SPACE	XT4	SPACE		-
9	SPACE	XT4	SPACE		-
10	SPACE	XT4	SPACE		-
11	125	XT1	XFMR T1	XT1HU3125AAA000XXX	(1) #10 - 2/0
12	100	XT1	TENNIS COURT LIGHTNING	XT1HU3100AAA000XXX	(1) #10 - 2/0

DFP12XT7

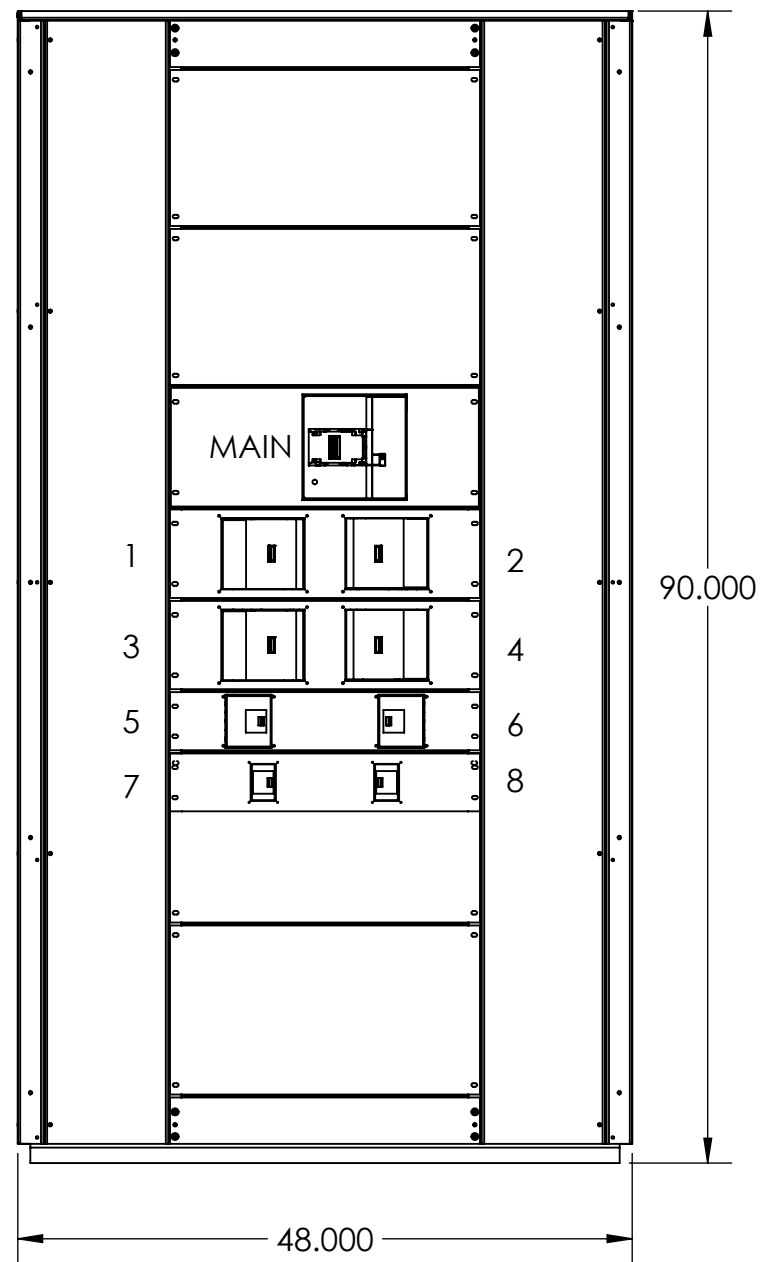
ASSEMBLY:  
UL 891 LISTED Service Entrance Rated  
Distribution Switchgear

MAIN:  
XT7HQ312EQFF940XXX  
1200A, 480Y/277, 3PH, 4W, 65kaic  
4 HOLE 4/0 - 500MCM MECH LUG PER PHASE

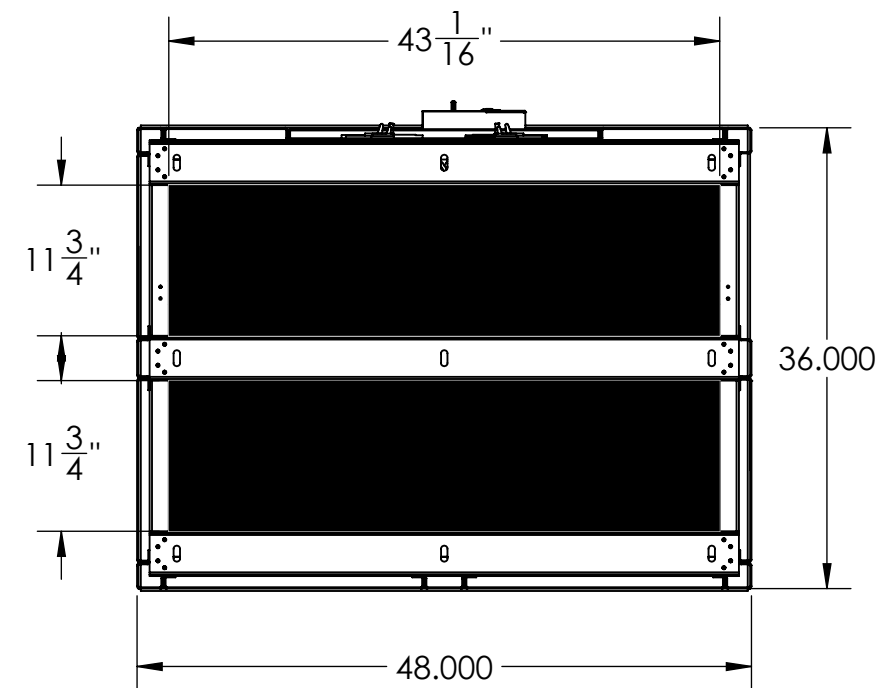
ENCLOSURE:  
90 TALL 48 WIDE 36 DEEP  
NEMA Type 1 (Indoor), PAD MOUNTABLE

ALL BUS TIN PLATED  
100% NEUTRAL  
GROUND

RELT



FRONT VIEW



BOTTOM VIEW  
CONDUIT ENTRY

CIRCUIT	TRIP AMPS	Notes	Description	LUGS/CABLE SIZE
1	500	CHILLER 1	XT5HU360BEFF000XXX	(1) 4/0 - 500
2	500	CHILLER 2	XT5HU360BEFF000XXX	(1) 4/0 - 500
3	500	CHILLER 3	XT5HU360BEFF000XXX	(1) 4/0 - 500
4	-	SPACE		
5	225	SOUTHCOURT BUILDING	XT4HU3225AFF000XXX	(1) #14 - 1/0
6	150	PANELBOARD H1	XT4HU3150AFF000XXX	(1) #14 - 1/0
7	110	XFMR T1	XT1HU3125AAA000XXX	(1) #10 - 2/0
8	100	TENNIS COURT LIGHTNING	XT1HU3100AAA000XXX	(1) #10 - 2/0



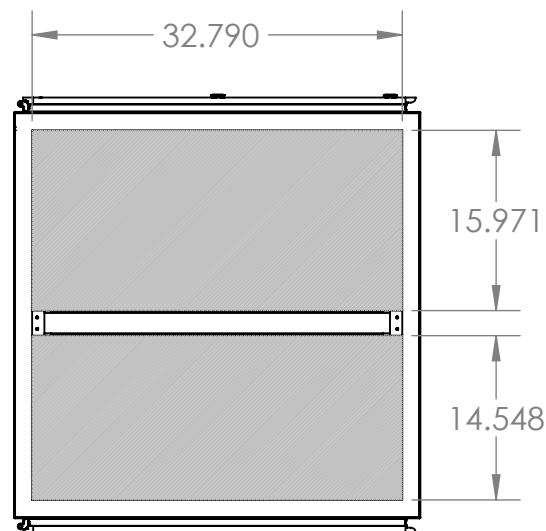
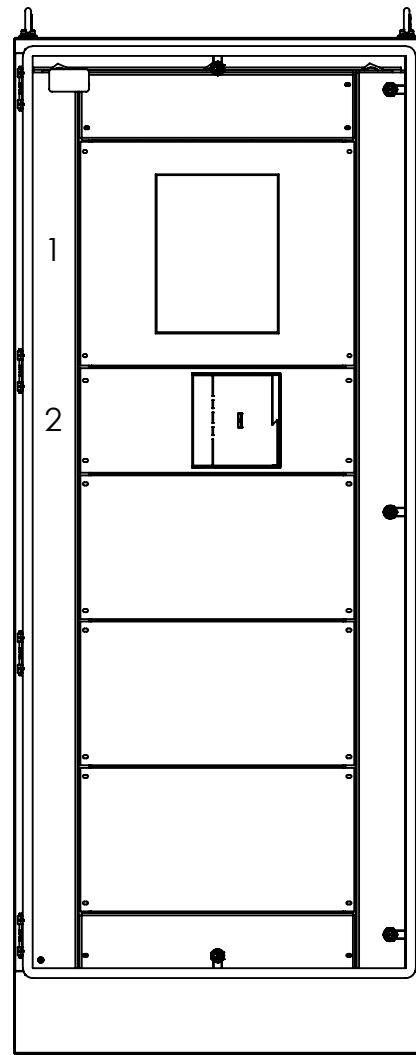
000190-DFP3000MLO-3R-1-TWO WIRE-PNL1-73820

**ASSEMBLY:**  
 UL 891 LISTED Service Entrance Rated  
 Main Lug Only Switchboard

**MAIN:**  
 MAIN LUG ONLY  
 3000A, 208/120V, 3PH, 4W, 65kaic  
 6 HOLE 4/0 - 750MCM MECH LUG PER PHASE

**ENCLOSURE:**  
 90 TALL 36 WIDE 36 DEEP  
 NEMA Type 3 (Outdoor), PAD MOUNTABLE

ALL BUS TIN PLATED  
 100% NEUTRAL  
 GROUND



CONDUIT ENTRY



CIRCUIT	TRIP AMPS	Frame Size	Notes	Description	LUGS/CABLE SIZE
1	2500	T8_		T8VQE3HX00A000XX	(6) - 4/0 - 750
2	600	XT6		XT6NQ3600FFF000XXX	(2) 250 - 500

000191-DFP2500MLO-3R-1-TWO WIRE-PNL2-73820

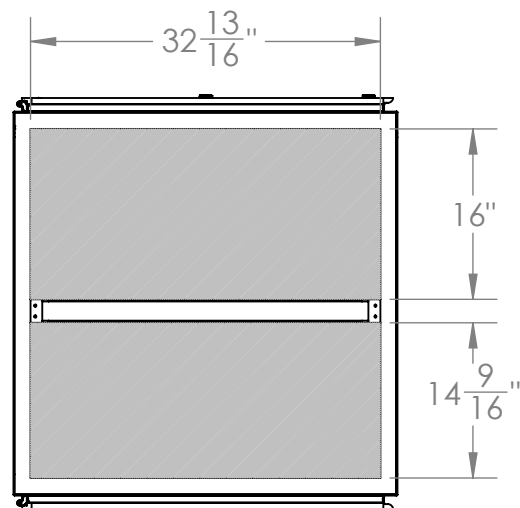
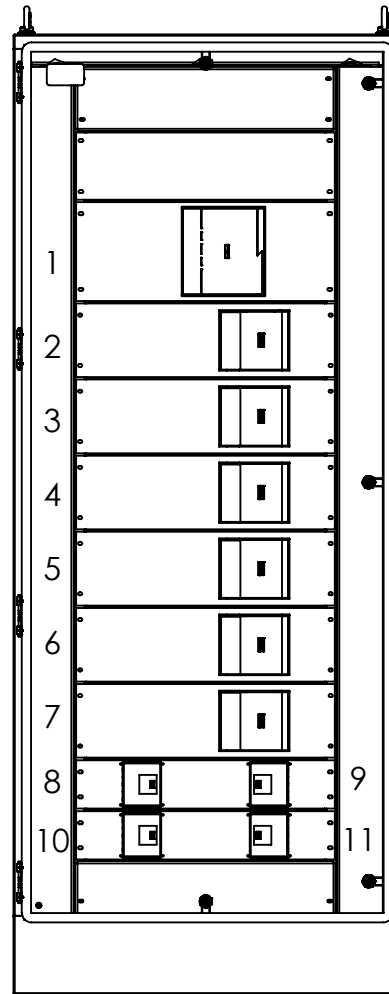
ASSEMBLY:  
UL 891 LISTED Main Lug Only Switchboard

MAIN:  
MAIN LUG ONLY  
2500A, 208/120V, 3PH, 4W, 65kaic  
6 HOLE 4/0 - 750MCM MECH LUG PER PHASE

ENCLOSURE:  
90 TALL 36 WIDE 36 DEEP  
NEMA Type 3 (Outdoor), PAD MOUNTABLE

ALL BUS TIN PLATED  
100% NEUTRAL  
GROUND

RELT



CIRCUIT	TRIP AMPS	Frame Size	Notes	Description	LUGS/CABLE SIZE
1	2500	XT6		XT6NU3800BFF000XXX	(2) 250 - 500
2	400	XT5		XT5NU340ABFF000XXX	(2) 2/0 - 500
3	400	XT5		XT5NU340ABFF000XXX	(2) 2/0 - 500
4	350	XT5		XT5NU340AFF000XXX	(2) 2/0 - 500
5	350	XT5		XT5NU340AFF000XXX	(2) 2/0 - 500
6	SPACE	XT5			-
7	SPACE	XT5			-
8	200	XT4		XT4NU3225BFF000XXX	(1) #14 - 1/0
9	200	XT4		XT4NU3225BFF000XXX	(1) #14 - 1/0
10	200	XT4		XT4NU3225BFF000XXX	(1) #14 - 1/0
11	200	XT4		XT4NU3225BFF000XXX	(1) #14 - 1/0

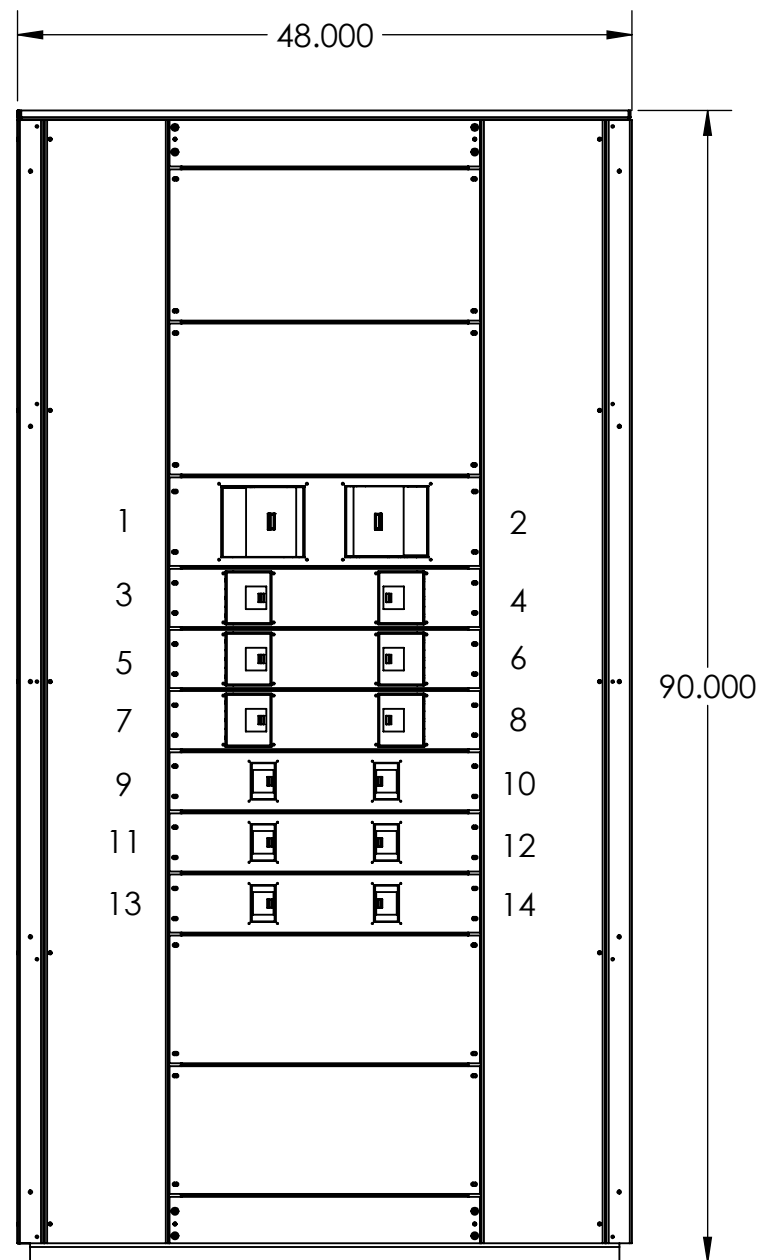
194-DFP12MLO-1-1

ASSEMBLY:  
UL 891 LISTED Main Lug Only Switchboard

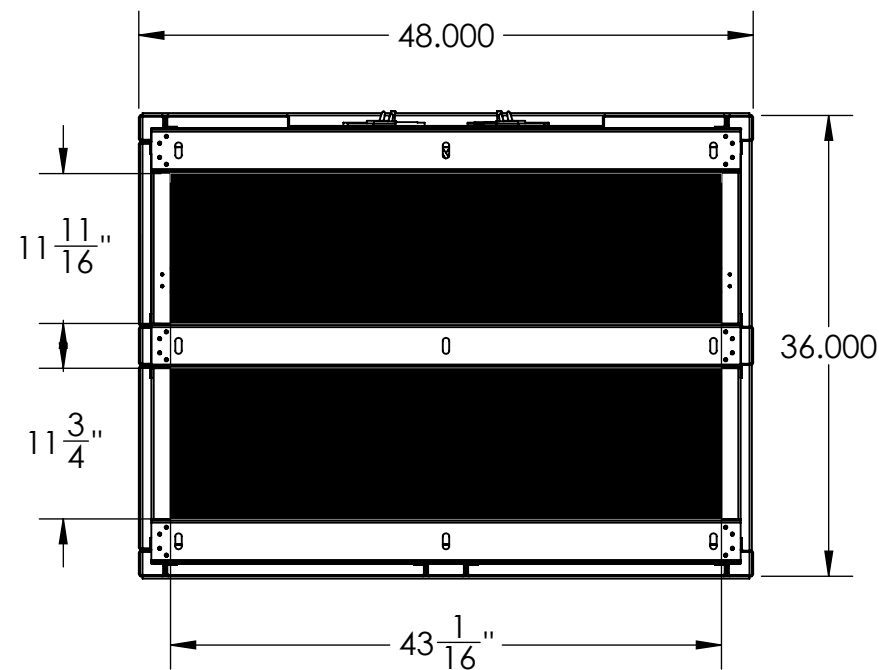
MAIN:  
6 HOLE 4/0 - 750MCM MECH LUG PER PHASE  
1200A, 480Y/277, 3PH, 4W, 50kaic  
12 HOLE 4/0 - 600MCM MECH LUG PER PHASE

ENCLOSURE:  
90 TALL 48 WIDE 36 DEEP  
NEMA Type 1 (Indoor), PAD MOUNTABLE

ALL BUS TIN PLATED  
100% NEUTRAL  
GROUND



FRONT VIEW



BOTTOM VIEW  
CONDUIT ENTRY

CIRCUIT	TRIP AMPS	Frame Size	Description	LUGS/CABLE SIZE
1	400	XT5	XT5HQ340AEFF000XXX	(1) 4/0 - 500
2	350	XT5	XT5HQ340AEFF000XXX	(1) 4/0 - 500
3	110	XT4	XT4HU3150EFF000XXX	(1) #14 - 1/0
4	110	XT4	XT4HU3150EFF000XXX	(1) #14 - 1/0
5	150	XT4	XT4HU3150AFF000XXX	(1) #14 - 1/0
6	250	XT4	XT4HU3250AFF000XXX	(1) #14 - 1/0
7	250	XT4	XT4HU3250AFF000XXX	(1) #14 - 1/0
8		XT4	SPACE	(1) #14 - 1/0
9		XT1	SPACE	(1) #10 - 2/0
10		XT1	SPACE	(1) #10 - 2/0
11		XT1	SPACE	(1) #10 - 2/0
12		XT1	SPACE	(1) #10 - 2/0
13		XT1	SPACE	(1) #10 - 2/0
14		XT1	SPACE	(1) #10 - 2/0

000194-DFP12MLO-1-1

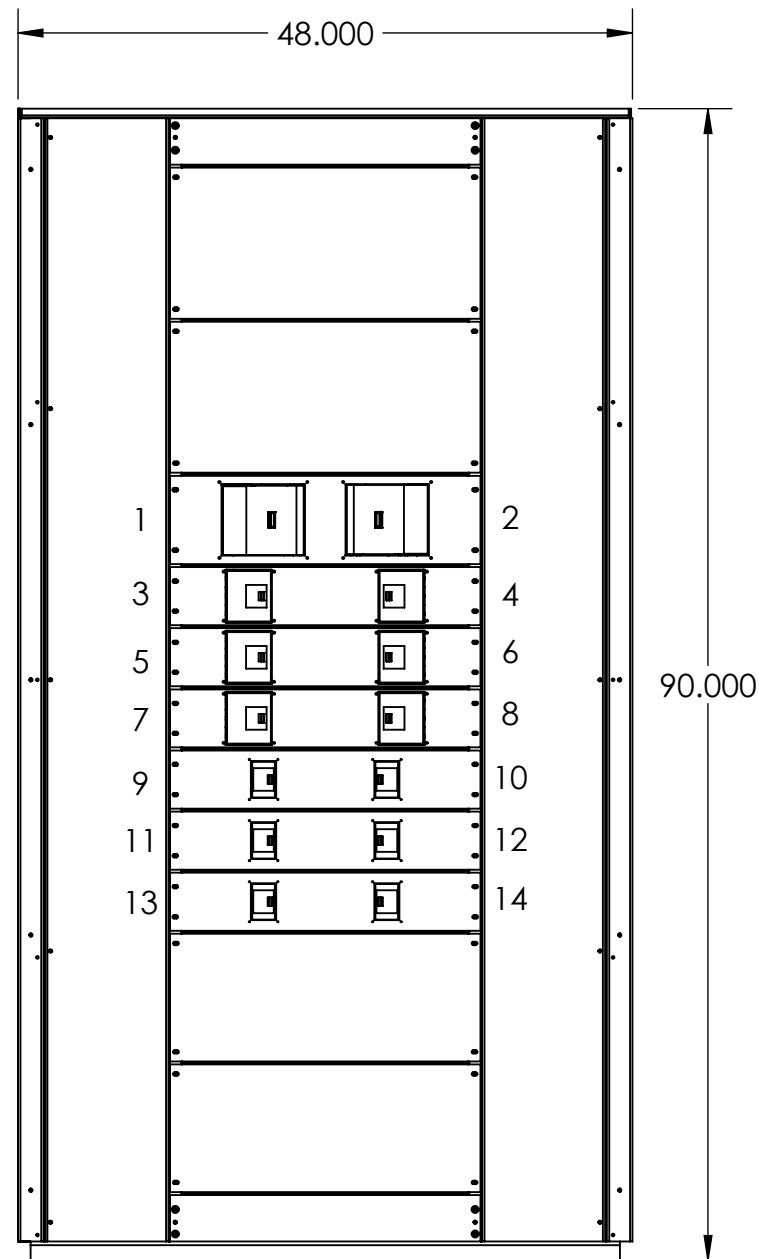
ASSEMBLY:  
UL 891 LISTED Main Lug Only Switchboard

MAIN:

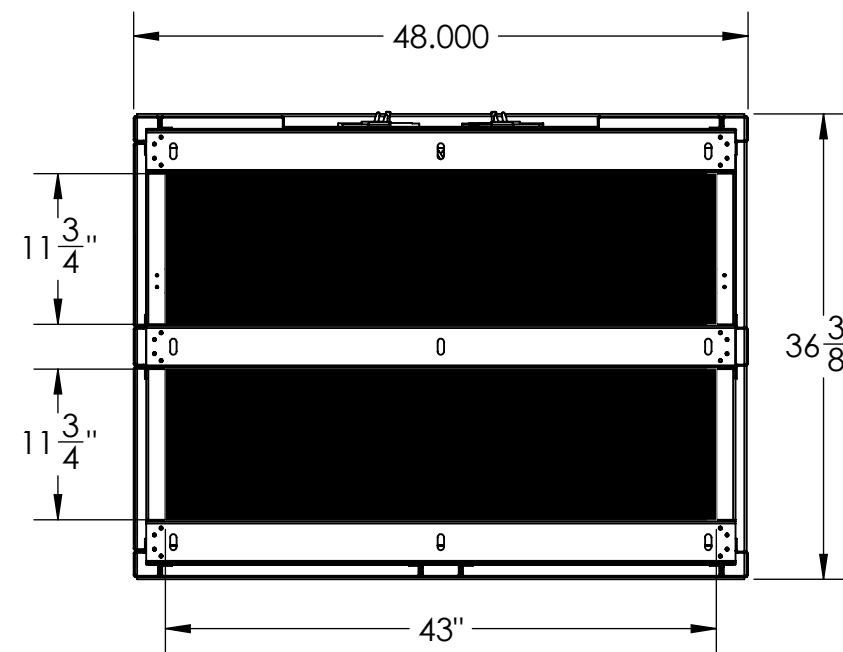
1200A, 480Y/277, 3PH, 4W, 50kaic  
6 HOLE 4/0 - 750MCM MECH LUG PER PHASE

ENCLOSURE:  
90 TALL 48 WIDE 36 DEEP  
NEMA Type 1 (Indoor), PAD MOUNTABLE

ALL BUS TIN PLATED  
100% NEUTRAL  
GROUND



FRONT VIEW



BOTTOM VIEW  
CONDUIT ENTRY

CIRCUIT	TRIP AMPS	Frame Size	Description	LUGS/CABLE SIZE
1	400	XT5	XT5HQ340AEFF000XXX	(1) 4/0 - 500
2	400	XT5	XT5HQ340AEFF000XXX	(1) 4/0 - 500
3	110	XT4	XT4HU3150EFF000XXX	(1) #14 - 1/0
4	110	XT4	XT4HU3150EFF000XXX	(1) #14 - 1/0
5	150	XT4	XT4HU3150AFF000XXX	(1) #14 - 1/0
6	250	XT4	XT4HU3250AFF000XXX	(1) #14 - 1/0
7	250	XT4	XT4HU3250AFF000XXX	(1) #14 - 1/0
8		XT4	SPACE	(1) #14 - 1/0
9		XT1	SPACE	(1) #10 - 2/0
10		XT1	SPACE	(1) #10 - 2/0
11		XT1	SPACE	(1) #10 - 2/0
12		XT1	SPACE	(1) #10 - 2/0
13		XT1	SPACE	(1) #10 - 2/0
14		XT1	SPACE	(1) #10 - 2/0

196-DFP12XT7-1-1S

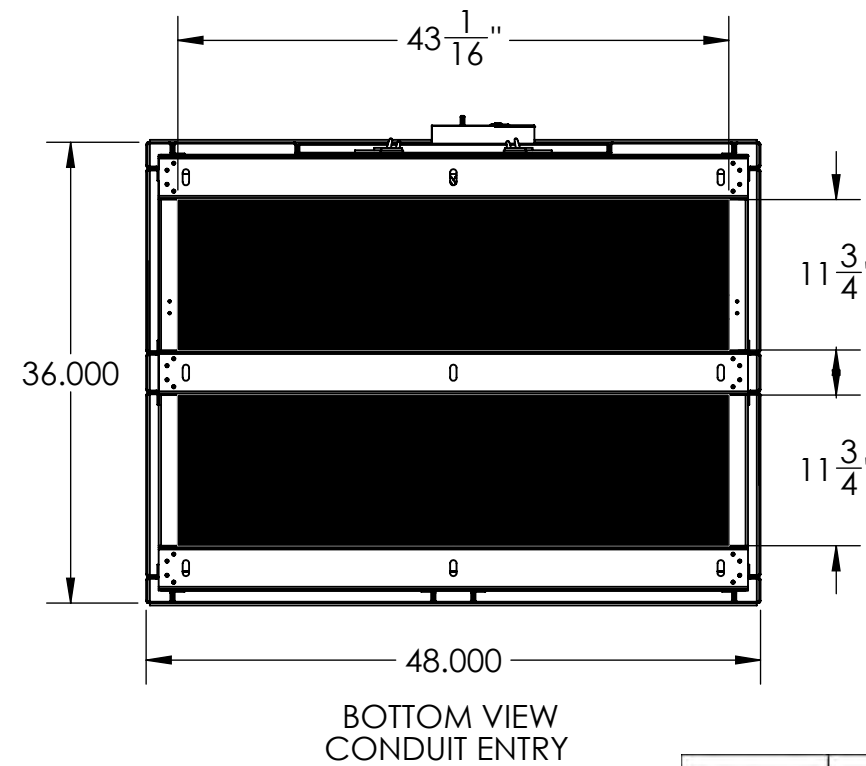
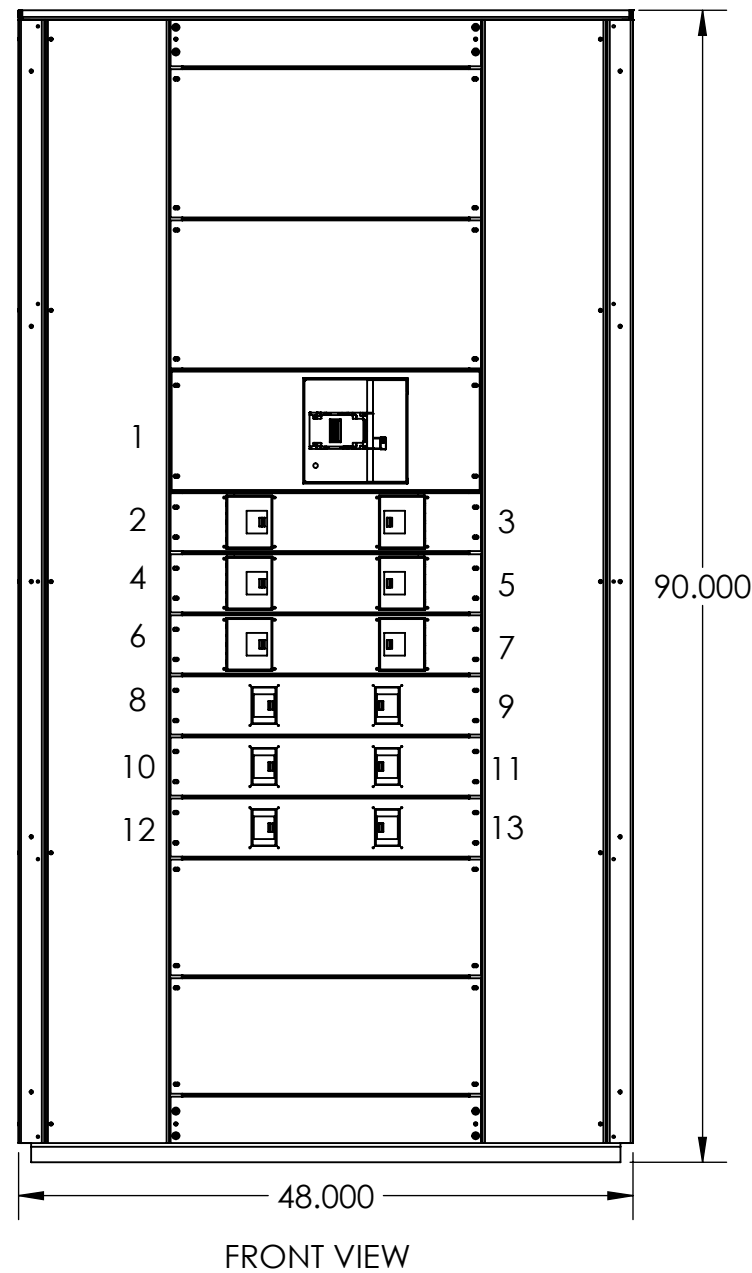
**ASSEMBLY:**  
 UL 891 LISTED Service Entrance Rated  
 Distribution Switchgear

**MAIN:**  
 XT7  
 1200A, 480Y/277, 3PH, 4W, 65kaic  
 4 HOLE 4/0 - 500MCM MECH LUG PER PHASE

**ENCLOSURE:**  
 90 TALL 48 WIDE 36 DEEP  
 NEMA Type 1 (Indoor), PAD MOUNTABLE

ALL BUS TIN PLATED  
 100% NEUTRAL  
 GROUND

RELT



CIRCUIT	TRIP AMPS	Frame Size	Description	LUGS/CABLE SIZE
1	1200	XT7	XT7HQ312EQWW95GX	(4) - 4/0 - 500
2	250	XT4	XT4HU3250AFF000XXX	(1) #14 - 1/0
3	250	XT4	XT4HU3250AFF000XXX	(1) #14 - 1/0
4	225	XT4	XT4HU3225AFF000XXX	(1) #14 - 1/0
5	225	XT4	XT4HU3225AFF000XXX	(1) #14 - 1/0
6	150	XT4	XT4HU3150AFF000XXX	(1) #14 - 1/0
7	150	XT4	XT4HU3150AFF000XXX	(1) #14 - 1/0
8	125	XT1	XT1HU3125AFF000XXX	(1) #10 - 2/0
9	100	XT1	XT1HU3100AFF000XXX	(1) #10 - 2/0
10	100	XT1	XT1HU3100AFF000XXX	(1) #10 - 2/0
11	100	XT1	XT1HU3100AFF000XXX	(1) #10 - 2/0
12	100	XT1	XT1HU3100AFF000XXX	(1) #10 - 2/0
13	80	XT1	XT1HU3080AFF000XXX	(1) #10 - 2/0

198-DFP12XT6-1-1-CONTERAS MEAT-73789

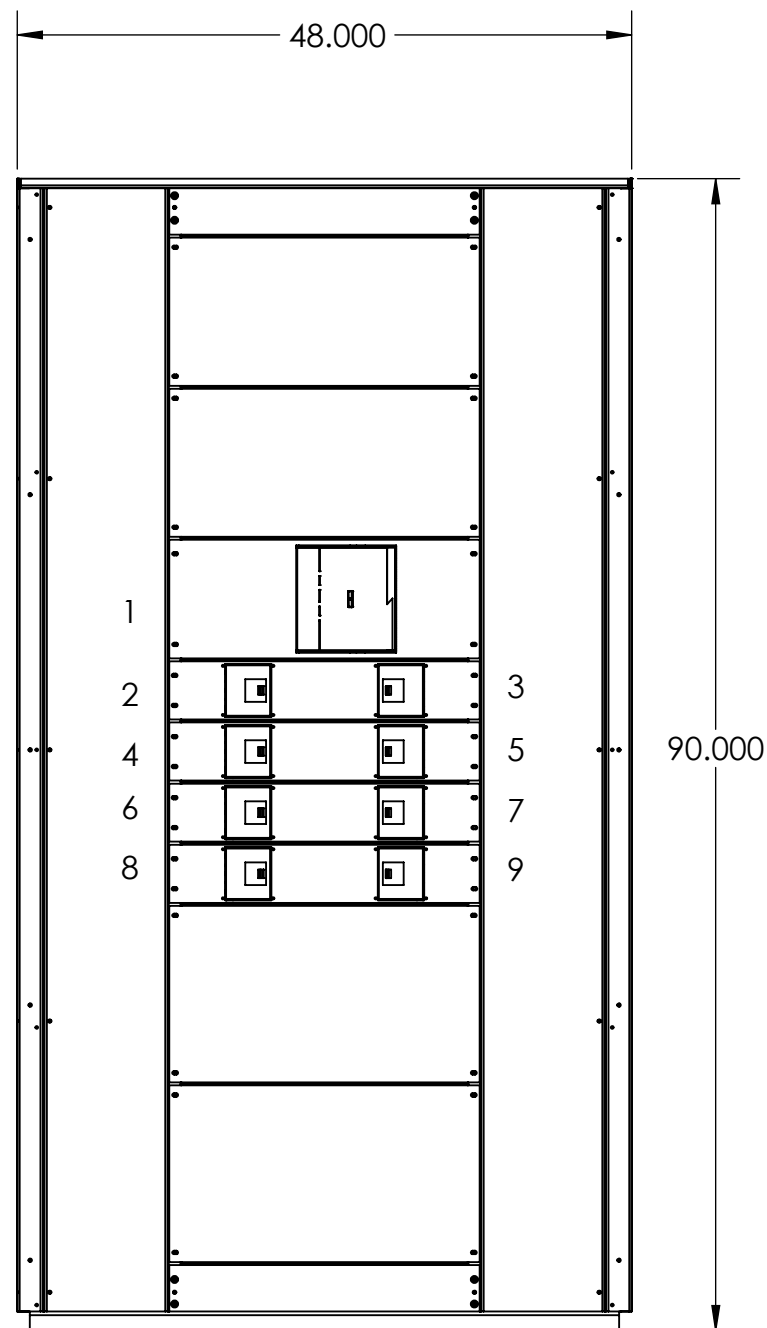
ASSEMBLY:  
UL 891 LISTED Distribution Switchgear

MAIN:  
XT6  
800A, 120/208, 3PH, 4W, 65kaic  
6 HOLE 4/0 - 750MCM MECH LUG PER PHASE

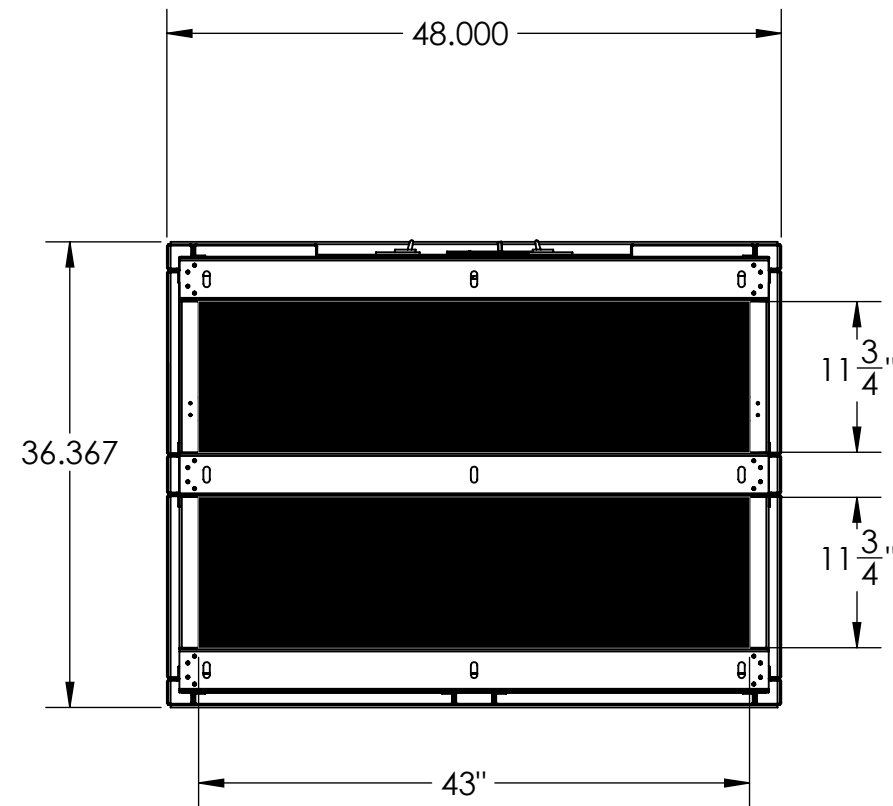
ENCLOSURE:  
90 TALL 48 WIDE 36 DEEP  
NEMA Type 1 (Indoor), PAD MOUNTABLE

ALL BUS TIN PLATED  
100% NEUTRAL  
GROUND

RELT



FRONT VIEW



BOTTOM VIEW  
CONDUIT ENTRY

CIRCUIT	TRIP AMPS	Frame Size	Description	LUGS/CABLE SIZE
1	800	XT6	XT6NU3800EFF000XXX	(2) 250 - 500
2	225	XT4	XT4NU3225AFF000XXX	(1) #14 - 1/0
3	225	XT4	XT4NU3225AFF000XXX	(1) #14 - 1/0
4	225	XT4	XT4NU3225AFF000XXX	(1) #14 - 1/0
5	225	XT4	XT4NU3225AFF000XXX	(1) #14 - 1/0
6	SPACE	XT4		-
7	SPACE	XT4		-
8	SPACE	XT4		-
9	SPACE	XT4		-

000207-DFP800-MTS-3R-1-LEGACY-PNL1

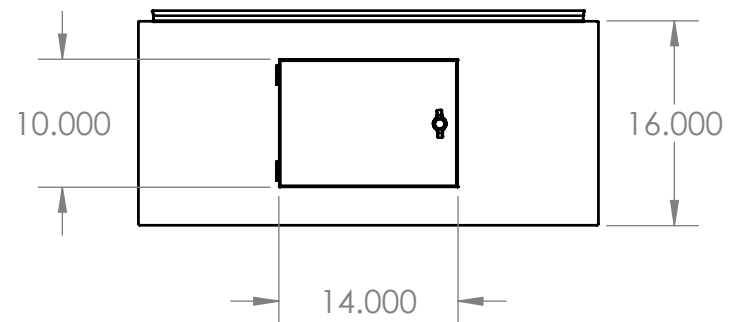
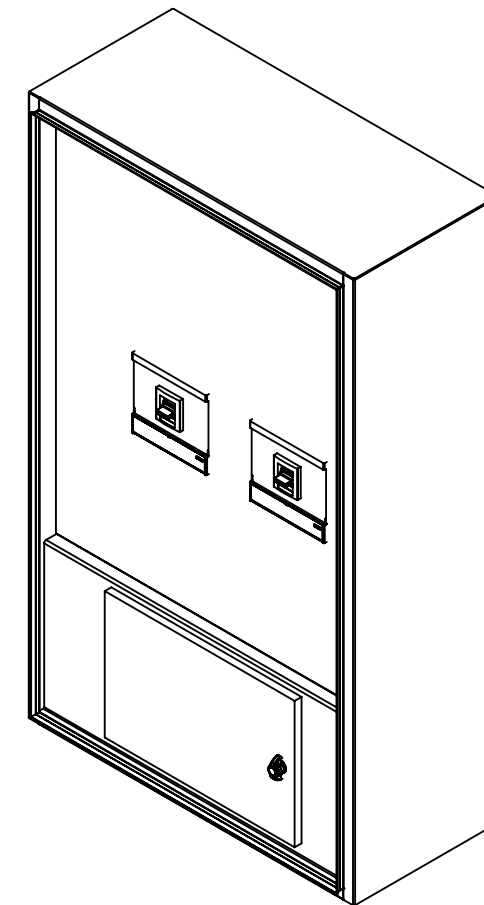
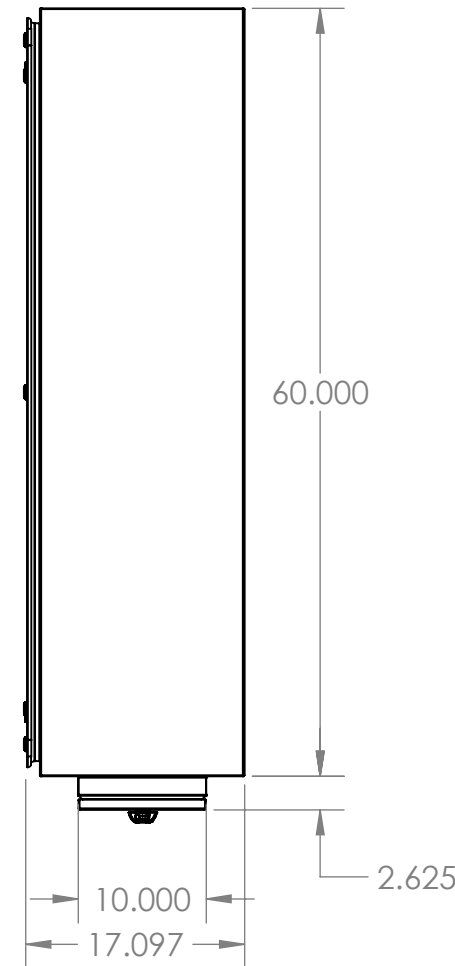
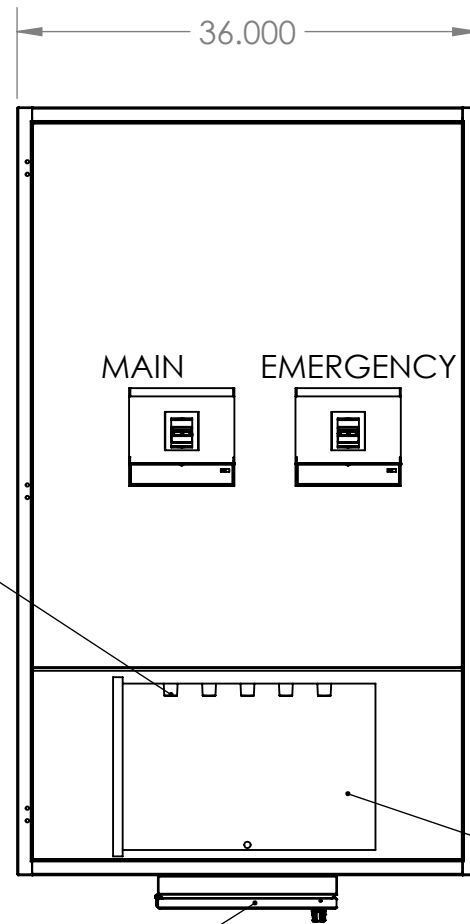
**ASSEMBLY:**  
UL 89T LISTED Service Entrance Rated  
800A Manual Transfer Switch

**MAINS:**  
XT6 4 POLE MECHANICALLY INTERLOCKED  
800A, 480Y/277, 3PH, 4W, 35kaic  
(2 HOLE 250 - 500MCM MECH LUG PER PHASE)

**ENCLOSURE:**  
60 TALL 36 WIDE 16 DEEP  
STAINLESS STEEL CONSTRUCTION  
NEMA Type 3 (Outdoor)

ALL BUS TIN PLATED  
100% NEUTRAL  
GROUND

(DOOR REMOVED FOR CLARITY)



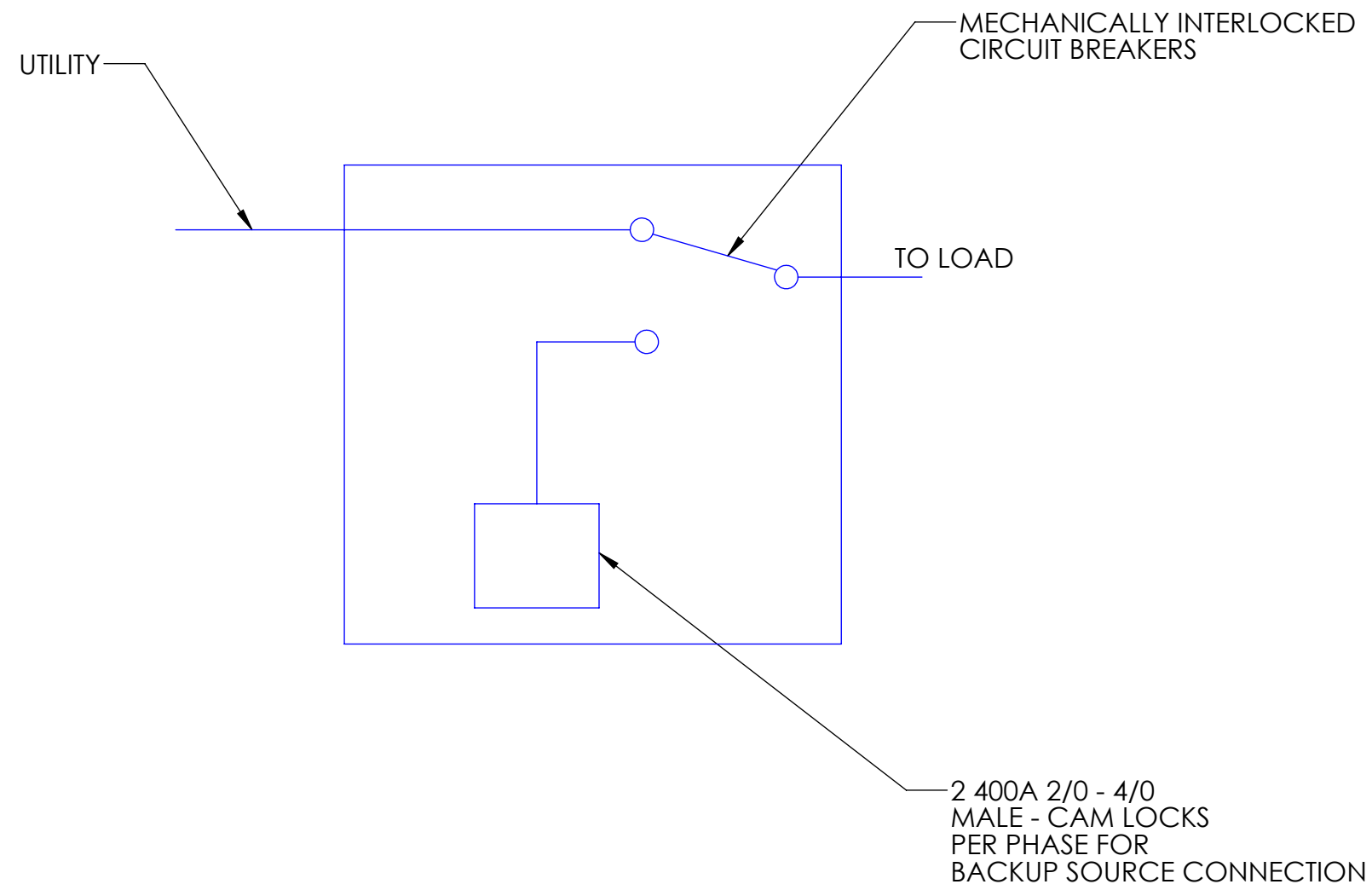
000207-DFP800-MTS-3R-1-LEGACY-PNL1

ASSEMBLY:  
UL 891 LISTED Service Entrance Rated  
800A Manual Transfer Switch

MAINS:  
XT6 4 POLE MECHANICALLY INTERLOCKED  
800A, 480Y/277, 3PH, 4W, 35kaic  
(2 HOLE 250 - 500MCM MECH LUG PER PHASE

ENCLOSURE:  
60 TALL 36 WIDE 16 DEEP  
TYPE 4X STAINLESS STEEL CONSTRUCTION

ALL BUS TIN PLATED  
100% NEUTRAL  
GROUND





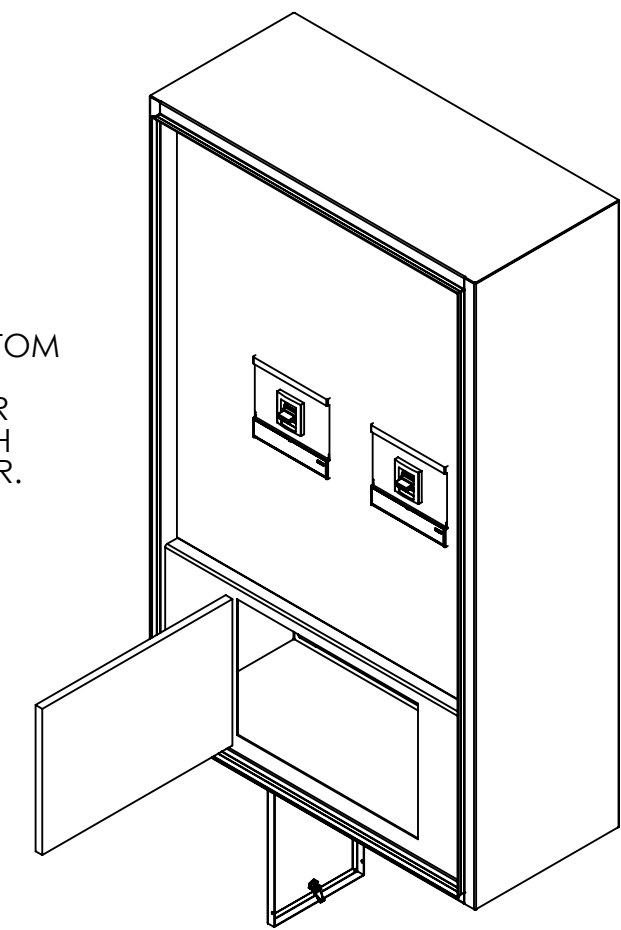
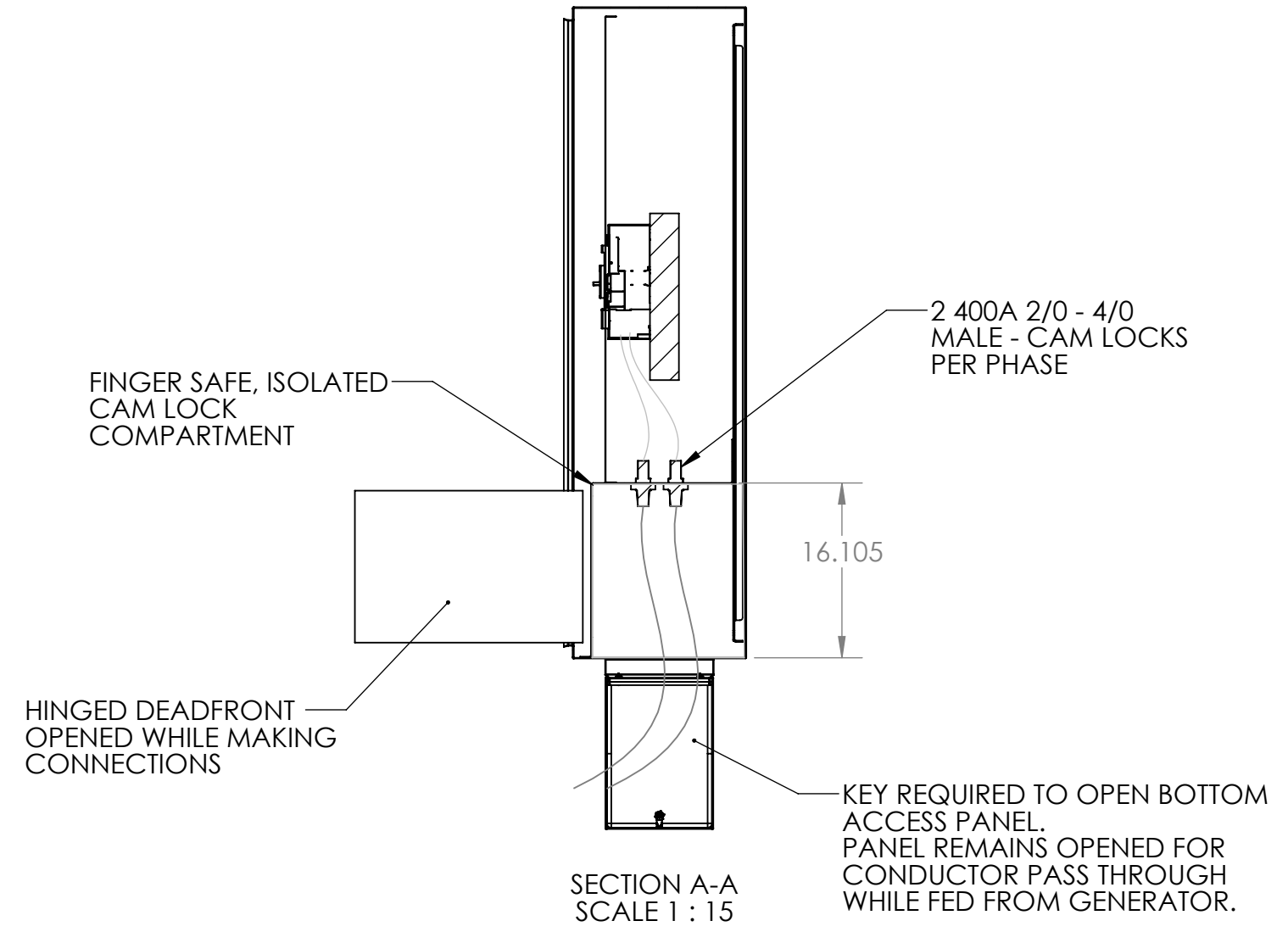
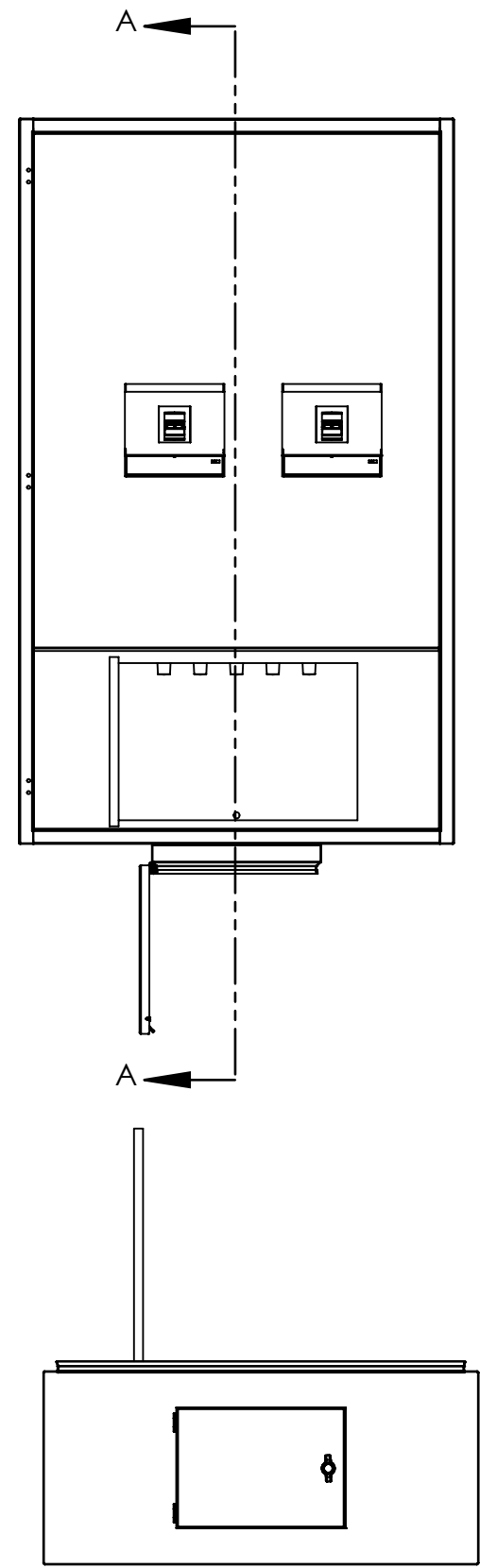
000207-DFP800-MTS-3R-1-LEGACY-PNL1

ASSEMBLY:  
UL 89T LISTED Service Entrance Rated  
800A Manual Transfer Switch

MAINS:  
XT6 4 POLE MECHANICALLY INTERLOCKED  
800A, 480Y/277, 3PH, 4W, 35kaic  
(2 HOLE 250 - 500MCM MECH LUG PER PHASE)

ENCLOSURE:  
60 TALL 36 WIDE 16 DEEP  
TYPE 4X STAINLESS STEEL CONSTRUCTION

ALL BUS TIN PLATED  
100% NEUTRAL  
GROUND



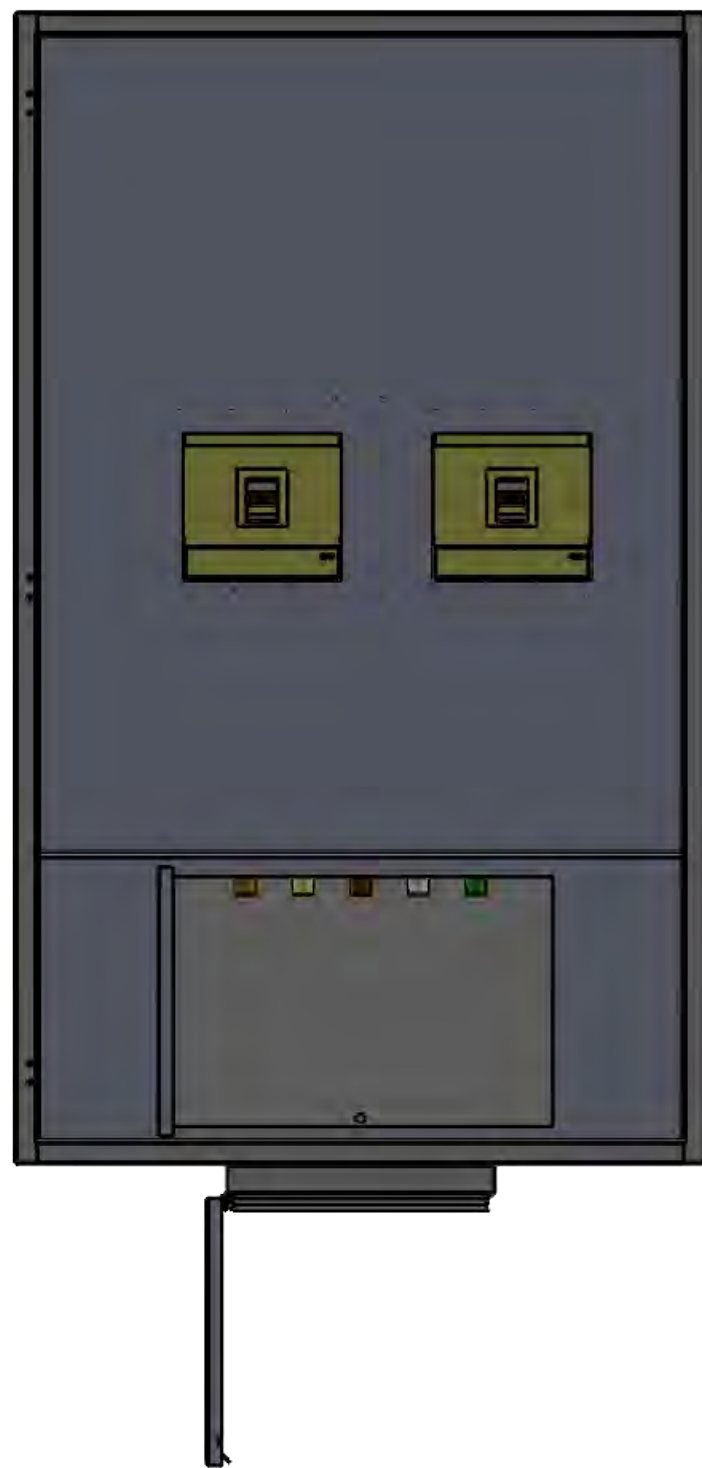
000207-DFP800-MTS-3R-1-LEGACY-PNL1

ASSEMBLY:  
UL 891 LISTED Service Entrance Rated  
800A Manual Transfer Switch

MAINS:  
XT6 4 POLE MECHANICALLY INTERLOCKED  
800A, 480Y/277, 3PH, 4W, 35kaic  
(2 HOLE 250 - 500MCM MECH LUG PER PHASE

ENCLOSURE:  
60 TALL 36 WIDE 16 DEEP  
TYPE 4X STAINLESS STEEL CONSTRUCTION

ALL BUS TIN PLATED  
100% NEUTRAL  
GROUND



000209-DFP2000-T8DSC-1-1-COLLINS-PNL1

**ASSEMBLY:**

UL 891 LISTED Service Entrance Rated Disconnect Switch

**MAIN:**

T8VBD3GX00A000XC

T8V 2000 UL PR332/P-LSIG W MAINTENANCE MODE IN=2000A 3PF F

2000A, 480Y/277, 3PH, 4W, 65kaic

12 HOLE 4/0 - 600MCM MECH LUG PER PHASE

**ENCLOSURE:**

57 TALL 48 WIDE 24 DEEP

NEMA Type 1 (Indoor), PAD MOUNTABLE

T8V 2000 UL PR332/P-LSIG W MAINTENANCE MODE

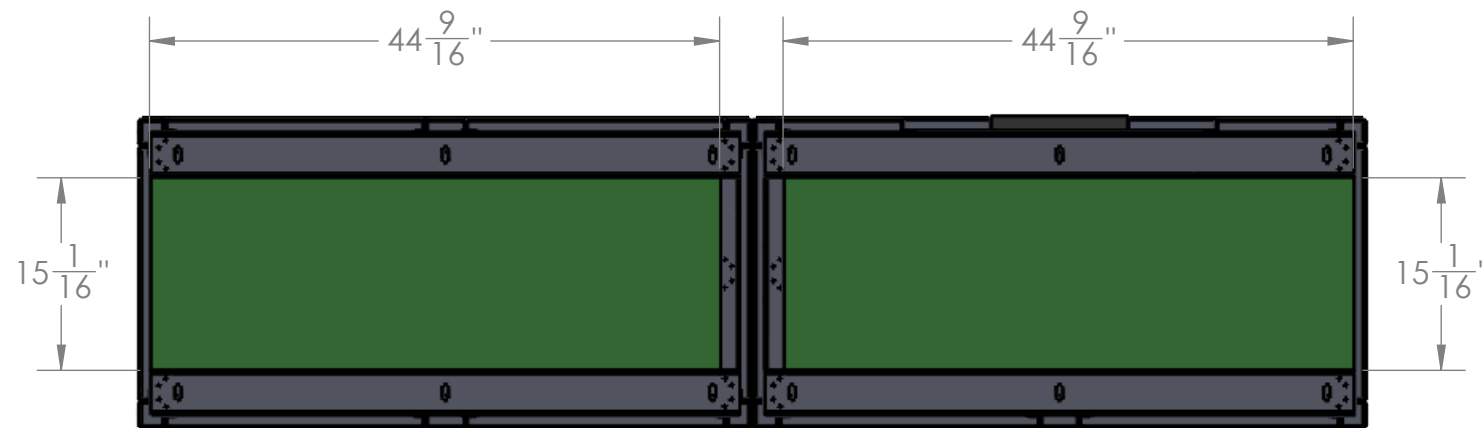
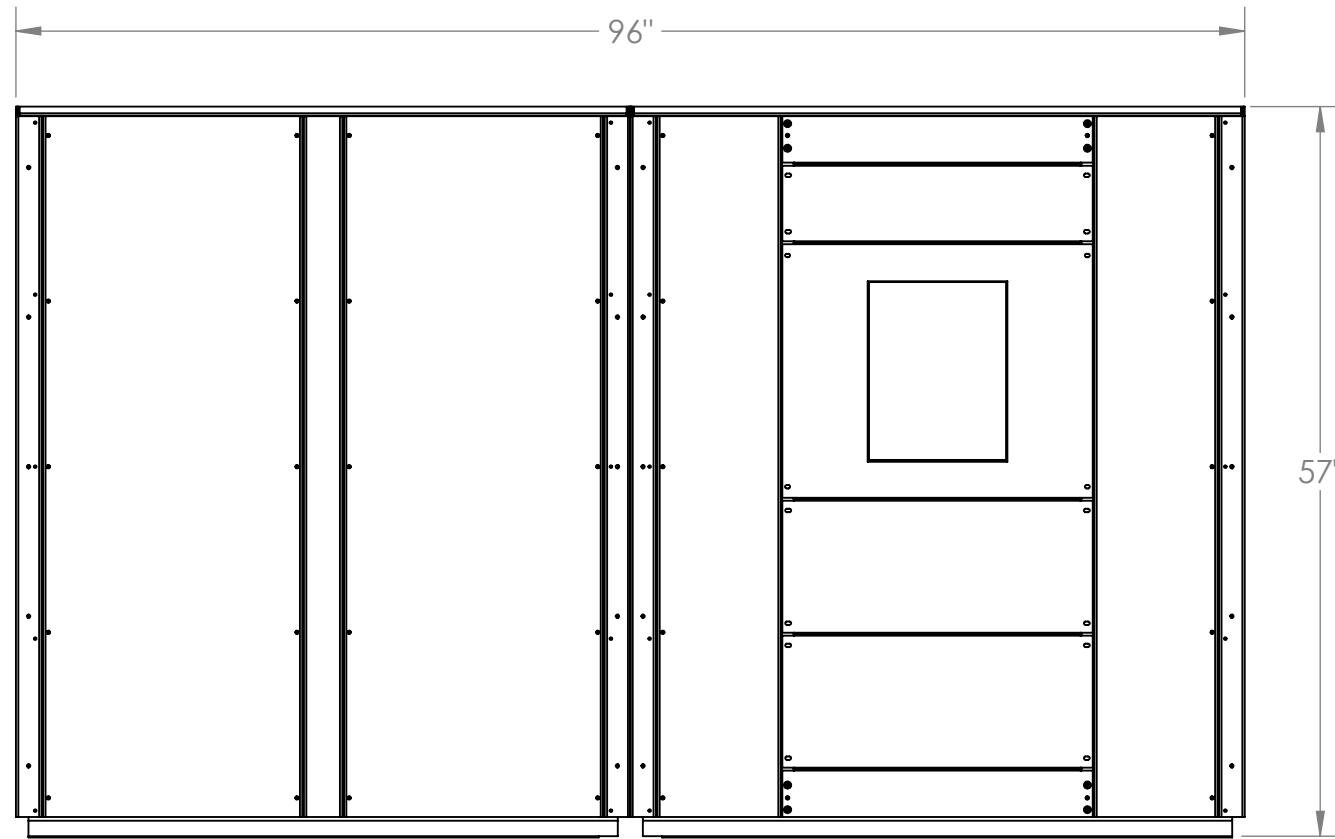
IN=2000A 3PF F

ALL BUS TIN PLATED

100% NEUTRAL

GROUND

RELT



000210-DFP3000-T8DN-3R-1-MALLARD

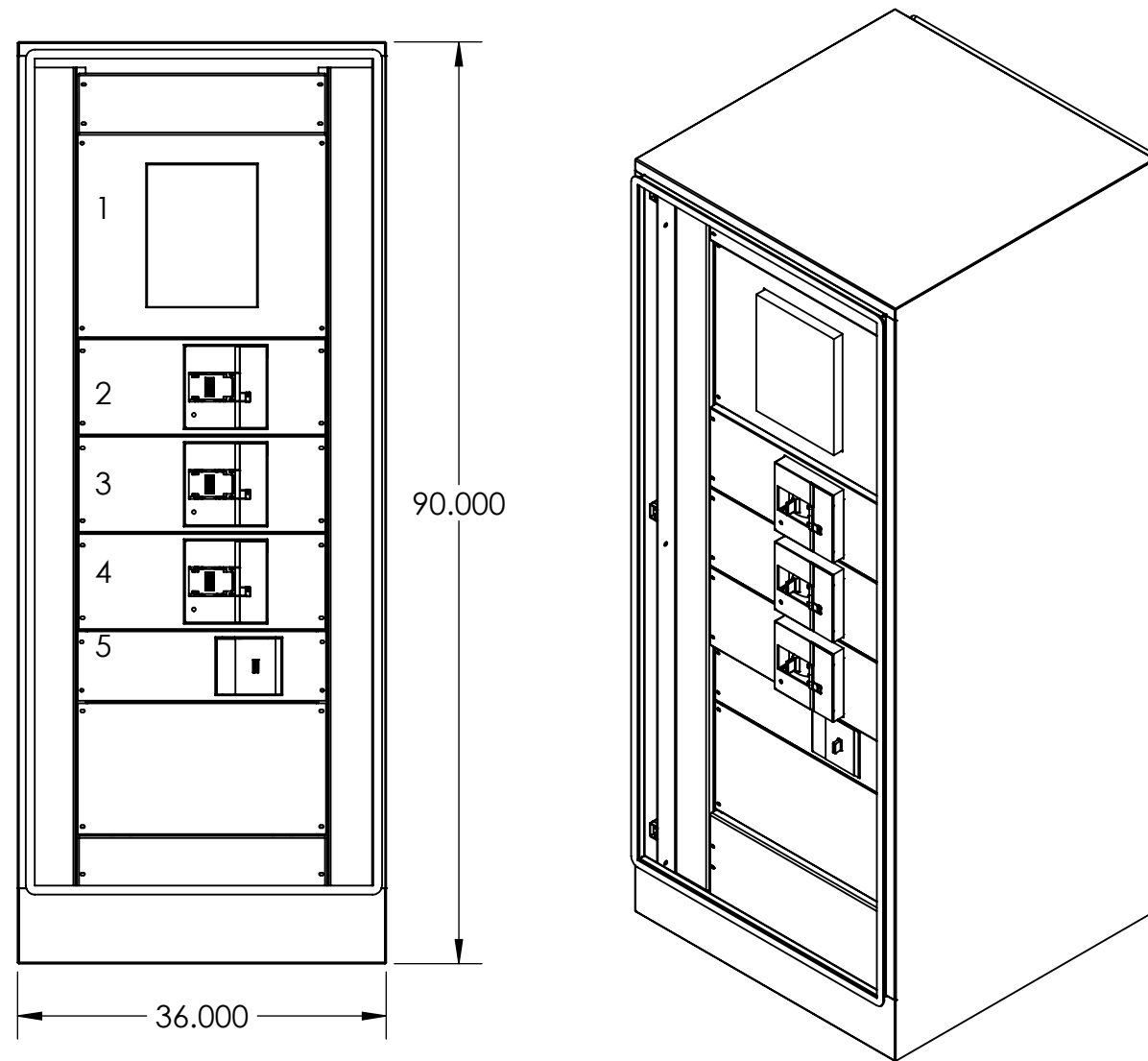
**ASSEMBLY:**  
UL 891 LISTED Service Entrance Rated  
Distribution Switchgear

**MAIN:**  
ABB T8VBF3JX00A000XC  
3000A, 480V, 3PH, 4W, 65kaic  
6 HOLE 4/0 - 750MCM MECH LUG PER PHASE

**ENCLOSURE:**  
90 TALL 36 WIDE 36 DEEP  
NEMA Type 3 (Outdoor), PAD MOUNTABLE

ALL BUS TIN PLATED  
100% NEUTRAL  
GROUND

RELT



CIRCUIT	TRIP AMPS	Frame Size	Description	LUGS/CABLE SIZE
1	2500	T8_	T8VBF3JX00A000XC	(6) - 4/0 - 750
2	1000	XT7	XT7HU310DEFF000XXX	(4) - 4/0 - 500
3	1000	XT7	XT7HU310DEFF000XXX	(4) - 4/0 - 500
4	SPACE	XT7	SPACE	-
5	600	XT5	XT5HU360BBFF000XXX	(2) 2/0 - 500